

# In-Wall Mount Solutions

## AFOLUX\_4 Series

The fanless AFL-4xxx series with streamlined design based on the Intel® Atom™ processor is designed in flexible options to match your diverse style.

### • Fanless

An on-board 1.6GHz Intel® Atom™ N270 CPU ensures low power requirements. Metal casting design housing replaces the fan as it helps the dissipate heat.

### • Changeable Faceplate/Sticker Skin

Multiple faceplate/skin sticker available to match diverse decoration styles

### • Easy In-wall in minutes

In-wall mounting just three simple steps: cut-out the panel, screw on and put on the faceplate

### • VESA Mounting Compliant

### • IEI One Key Recovery solution allows you to create rapid OS backup and recovery



## Features

- 8" ~ 15" TFT LCD with resistive touch screen.
- Fanless system with Intel® Atom™ process N270 1.6GHz CPU
- Changeable faceplate and sticker skin
- In-wall mechanism design allows easy to installation in minutes
- Build-in CMOS camera with digital microphone and two 1.5W speakers for multimedia applications
- Enabling easier access to the internet through a HSUPA network (Optional)
- Built-in bluetooth technology rids systems of cables and allows wireless connection to peripheral devices like head phones, keyboard and mouse
- VESA-mountable for flexibility in mounting and deployment
- Ambient light sensor detects ambient light for automated screen adjustments to optimize viewing.
- IP63 front panel compliant
- One Digital I/O (4 input/ 4 output)
- Windows XP Embedded/Windows CE/Linux (Debian 2.6.26) Support

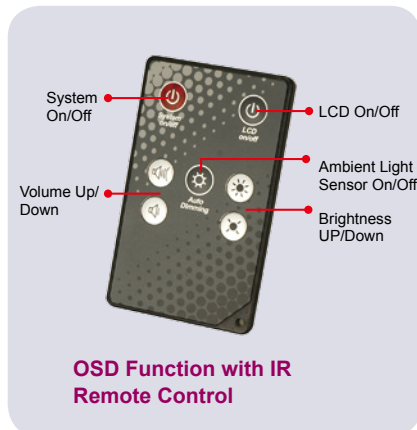


## Ambient Light Sensor

AFL-4xxx series built in the ambient light sensor in front of the panel to automatically detect the amount of light in the viewing environment and auto-adjusts the brightness of the screen.

### Benefits:

- Avoid eye strained and tired, to provide comfortable viewing
- Power consumption saving
- Extend lamp lifetime



1  
IEI Mobile Solution

2  
Automation Panel Solutions

3  
Digital Signage

4  
Video Wall Controller/ Splitter

5  
RISC-based Solutions

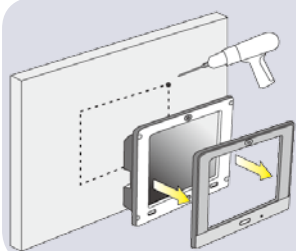
6  
PACsmate Medical

7  
Optional Peripherals

## Easy In-wall Installation in Minutes

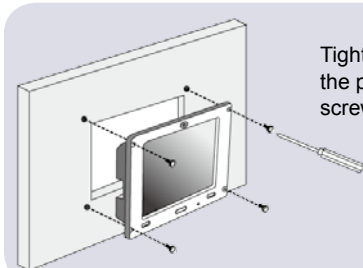
AFL-4xxx series was not only increases flexibility of versatile patterns of the faceplate, but also ease of installation.

### (A) Cut Out the Panel



Select the position on the panel to mount the flat panel PC. Cut out a section from the panel that corresponds to the rear panel dimensions.

### (B) Screw On

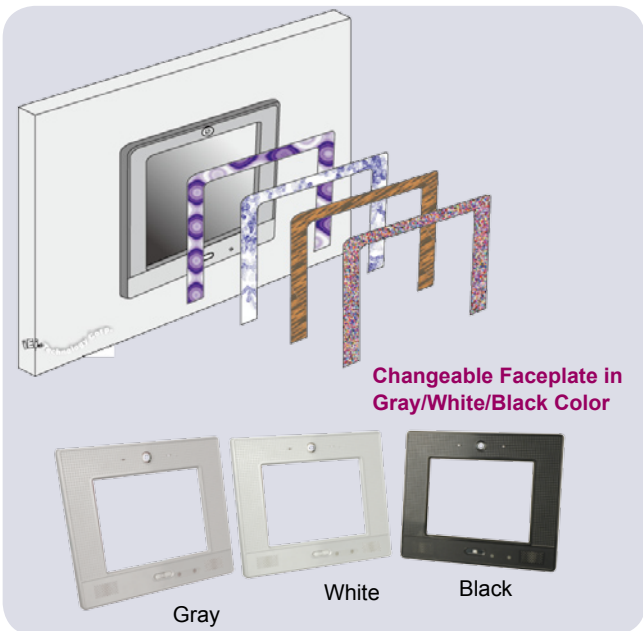


Tighten the screws that pass through the panel mounting holes until the screws are firmly secured to the panel.

### (C) Put on the Faceplate

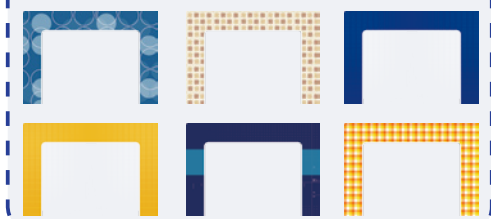


### (D) Changeable faceplate sticker skin (Customize by order)



## Versatile Faceplate Sticker Skin Patterns Enhance your Design Style!

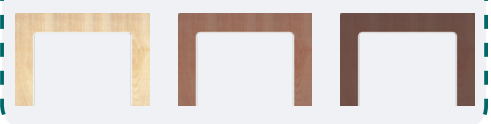
#### • Stylish



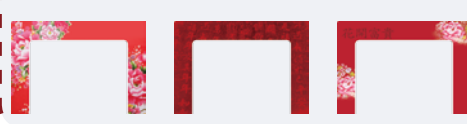
#### • Photo Frame



#### • Wooden



#### • Traditional Chinese



1  
IEI Mobile Solution

2  
Automation Panel Solutions

3  
Digital Signage

4  
Video Wall Controller/ Splitter

5  
RISC-based Solutions

6  
PACsmate Medical

7  
Optional Peripherals



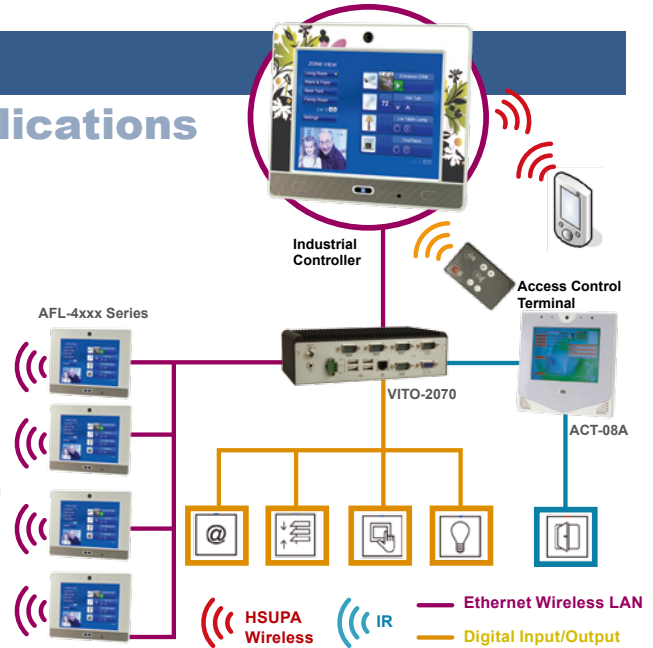
# What are we going after?

## Various Applications

### A. Controlling your digital home !

**Features:**

- Changeful face plate suitable for various in-wall environments
- Simple and attractive appearance
- Local information and services
- Advertising possibilities
- X86 architecture easy to integrate new services
- Built-in IR receiver implements the remote control capability



### Designing a Home Automation System



**Audio Control**  
Telephone announcement and music from one room can follow you down the hall and into the kitchen.



**Security**  
• Control the lighting, in the event of alarm or fire.  
• View and record surveillance video



**Lighting Control**  
Lighting set by schedule, time of day.

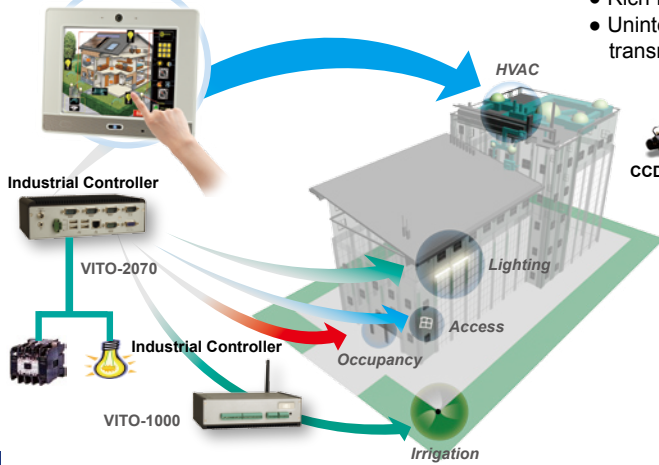


**Energy Management**  
• Lights turn off when leaving the home.  
• Settings restore automatically when returning home, saving energy.

### B. Building Automation

**Features:**

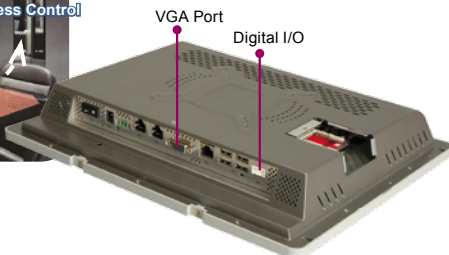
- Rich I/O interface for easy peripheral integration in any location.
- Uninterrupted network connection ensures real-time data and information transmission.



### C. Conferencing

**Features:**

- Trouble-free video conferencing with integrated audio/video hardware and wireless connection.
- Equipped with a digital I/O with to remotely control the device on and off.



**Digital IO Control Diagram**

Super IO	
GPI (Get Status)	GPO Action (Open / Close)
Control Block	
Low Level High Level	Low Level High Level



1  
IEI Mobile Solution

2  
Automation Panel Solutions

3  
Digital Signage

4  
Video Wall Controller/ Splitter

5  
RISC-based Solutions

6  
PACsmate Medical

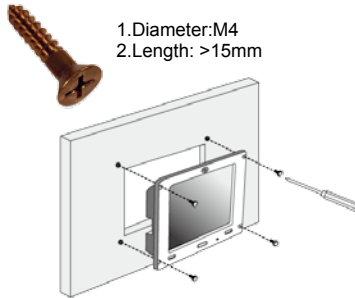
7  
Optional Peripherals

# IEI Quick Mounting Technology

## In-wall Mounting

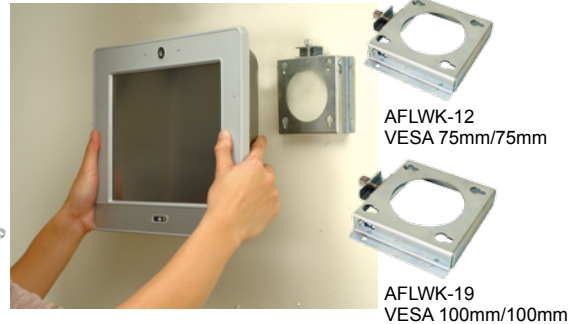


### Self-drilling screws



1. Diameter: M4
2. Length: >15mm

## Wall Mount



AFLWK-12  
VESA 75mm/75mm

AFLWK-19  
VESA 100mm/100mm

## Desktop Stand



### Easy Stand

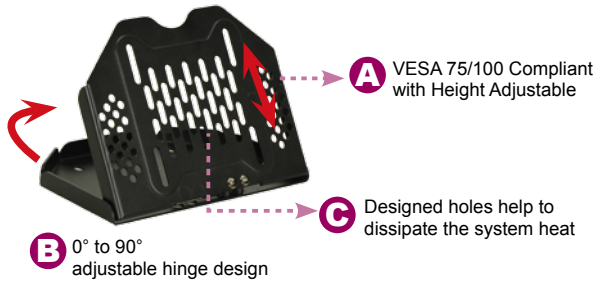


STAND-A08  
(For 8" and 8.4" PPC)

STAND-A12  
(For 10" and 12" PPC)

STAND-A19  
(For 15" PPC)

## V-Stand



**A** VESA 75/100 Compliant with Height Adjustable

**B** 0° to 90° adjustable hinge design

**C** Designed holes help to dissipate the system heat

### Features:

- 0° to 90° adjustable hinge design allows comfortable viewing
- Standard VESA 75/100 Compliance
- Heat dissipation holes designed
- Compact size easy to use and mount anywhere

### Comfortable Stand



STAND-B19  
(For 15" AFL Series)

Right/Left Pan (270°)

Forward & Back Tilt(+25°/-5°)



VSTAND-A10  
(For 8"~10.4" AFL Series)

VSTAND-A12  
(For 12.1" AFL Series)

## The Benefits

### A One fits all solution

V-Stand is designed to be compact and tilt adjustable. Provides mobility and ergonomic comfort to fit common wall and ceiling mounting situations.

#### Wall Mounting



Back office POS system

#### Ceiling Mounting



Car PC

### C Space saving and easy to install

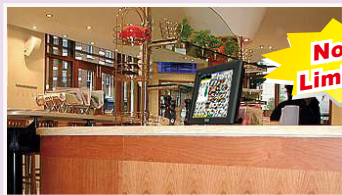
1: Tighten the screws in the rear of the AFOLUX PPC VESA mounting holes

Compact size provides mobility



### B 0° to 90° adjustability

Change the angle of the stand from 0° to 90° to reach almost any point with ergonomic features for comfortable viewing.



POS system

**No Hinge Limitation!**



2: Select the position to mount stand kit



3: Plug in the system to operate

1  
IEI Mobile Solution

2  
Automation Panel Solutions

3  
Digital Signage

4  
Video Wall Controller/ Splitter

5  
RISC-based Solutions

6  
PACsmate Medical

7  
Optional Peripherals

# AFL-408A-N270

8.4" SVGA Fanless In-Wall Panel PC

# AFL-408B-N270

8.0" SVGA Fanless In-Wall Panel PC

# AFL-W410A-N270

Wide 10.2" SVGA Fanless In-Wall Panel PC



## Features

- 8" ~ 15" TFT LCD with resistive touch screen.
- Fanless system with Intel® Atom™ process N270 1.6GHz CPU
- Changeable faceplate and sticker skin
- In-wall mechanism design allows easy to installation in minutes
- Build-in CMOS camera with digital microphone and two 1.5W speakers for multimedia applications (Optional)
- Enabling easier access to the internet through a HSUPA network (Optional)
- Built-in bluetooth technology rids systems of cables and allows wireless connection to peripheral devices like head phones, keyboard and mouse
- VESA-mountable for flexibility in mounting and deployment
- Ambient light sensor detects ambient light for automated screen adjustments to optimize viewing.
- One Digital I/O (4 input/4 output)
- IEI One Key Recovery solution allows you to create rapid OS backup and recovery (Suggest over 4GB storage capacity)

## Specifications

**Economical Version**

**Economical Version**

Model	AFL-408A-N270-R20	AFL-408B-N270-R20	AFL-W410A-N270-R20	
Display	LCD Size	8.4"	8.0"	10.2"
	Max Resolution	800 * 600	800 * 600	1024 * 600
	Brightness (cd/m²)	450	250	400
	Contrast Ratio	600 : 1	500 : 1	400 : 1
	LCD Color	262K	262K	262K
	Pixel Pitch (mm)	0.213(H) x 0.213(V)	0.2025(H) x 0.2025(V)	0.2175(H) x 0.2175(V)
	Viewing Angle (H-V)	160° / 140°	140° / 130°	140° / 110°
	Backlight MTBF (hrs)	50000	30000	40000
Motherboard	CPU	Intel® Atom™ process N270 1.6GHz CPU	Intel® Atom™ process N270 1.6GHz CPU	Intel® Atom™ process N270 1.6GHz CPU
	Chipset	Intel® 945GSE + ICH7M	Intel® 945GSE + ICH7M	Intel® 945GSE + ICH7M
	RAM	Supports one 400MHz or 533MHz DDRII SO-DIMM (2GB Max.)		
I/O Ports and Switches	1 x RJ-45 for RS-232 COM Port	1 x RJ-45 for RS-232 COM Port	1 x RJ-45 for RS-232 COM Port	
	1 x RJ-45 for RS-232/422/485 COM port	1 x RJ-45 for RS-232/422/485 COM port	1 x RJ-45 for RS-232/422/485 COM port	
	1 x RJ-45 for Giga LAN	1 x RJ-45 for Giga LAN	1 x RJ-45 for Giga LAN	
	5 x USB 2.0 (4 in the rear, 1 in front panel)	5 x USB 2.0 (4 in the rear, 1 in front panel)	5 x USB 2.0 (4 in the rear, 1 in front panel)	
	2 x Power Switch (Inside Front Panel & Rear cover)	2 x Power Switch (Inside Front Panel & Rear cover)	2 x Power Switch (Inside Front Panel & Rear cover)	
	1 x Reset Button	1 x Reset Button	1 x Reset Button	
	1 x DIO (4in / 4out)	1 x DIO (4in / 4out)	1 x DIO (4in / 4out)	
	1 x Terminal block for 10~28VDC Input	1 x Terminal block for 10~28VDC Input	1 x Terminal block for 10~28VDC Input	
1 x VGA Port	1 x VGA Port	1 x VGA Port		
1 x Power Jack	1 x Power Jack	1 x Power Jack		
Driver Bay	SSD	CF Typell	CF Typell	CF Typell
	HSUPA Mobile Solution(Optional)	N/A	N/A	1 x HSUPA Mobile Module (USB Interface)
Other Function	Watchdog Timer	Software programmable supports 1~255 sec. System reset		
	Audio	AMP 1.5W + 1.5W (Internal Speaker)		
	WiFi	1 x Wireless Lan 802.11 b/g Module (internal Mini PCIe interface)		
	Bluetooth	1 x Bluetooth Function (internal USB interface, Bluetooth V2.0)	N/A	N/A
	Webcam and Digital Microphone	1 x 300K pixel Camera with Digital Microphone (internal USB interface)	N/A	N/A
	Remote Control	1 x Remote Controller ( LCD On/Off; System Power On/Off; Volume; Brightness)		
Physical	LED Function	1 x Power ON/OFF LED on Front Panel		
	Construction Material	ABS + PC Plastic front frame		
	LED Function	1 x Power ON/OFF LED on Front Panel		
	Mounting	Panel, Wall VESA 75mm x 75mm / 100mm x 100mm		
	Front Panel Color	Black (Black U) / White (Apple white) Gray (422C)	Black (Black U) / White (Apple white) Gray (422C)	Black (Black U) / White (Apple white) Gray (422C)
	Dimension (WxHxD) (mm)	263.2 x 221.2 x 54.4	263.2 x 221.2 x 54.4	313.83 x 222.13 x 52.5
Environment	Operation Temperature (°C)	-10°C ~50°C	-10°C ~50°C	-10°C ~50°C
	Storage Temperature (°C)	-20°C ~60°C	-20°C ~60°C	-20°C ~60°C
	Net Weight	0.8 Kg	0.8 Kg	1.5 Kg
	IP Level	IP63	IP63	IP63
	EMC	CE, FCC, CCC	CE, FCC, CCC	CE, FCC, CCC
	Safety	CB	CB	CB
Touch Screen	Resistive Type 4-Wire (Touch controller IC is on board) Resistive Type 5-Wire (Touch controller IC is on board) Resistive Type 5-Wire (Touch controller IC is on board)			
Power Adapter	P/N: 63000-FSP036RAB608-RS / 36W Power Adapter / Input: 90VAC~264VAC, 50/60Hz / Output: 12VDC			
Power Requirement	10~28VDC	10~28VDC	10~28VDC	
Power Consumption	25W	25W	28W	

1  
IEI Mobile Solution

2  
Automation Panel Solutions

3  
Digital Signage

4  
Video Wall Controller/ Splitter

5  
RISC-based Solutions

6  
PACSmate Medical

7  
Optional Peripherals



# AFL-412A-N270

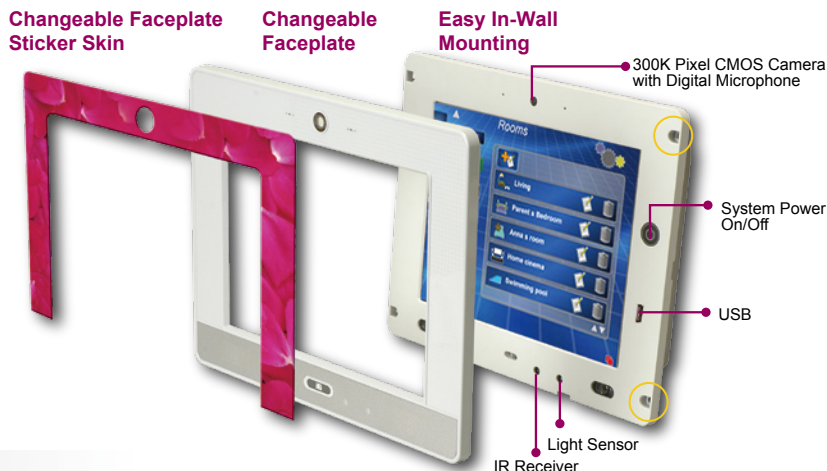
12.1" XGA Fanless In-Wall Panel PC

# AFL-415A-N270

15" XGA Fanless In-Wall Panel PC

# AFL-415AE-N270

15" XGA Economical Fanless In-Wall Panel PC



## Specifications

Model	AFL-412A-N270-R20	AFL-415A-N270-R20	AFL-415AE-N270-R20		
Display	LCD Size	12.1"	15"	15	
	Max Resolution	1024 * 768	1024 x 768	1024 x 768	
	Brightness (cd/m²)	500	350	250	
	Contrast Ratio	700 : 1	700 : 1	600 : 1	
	LCD Color	262K	262K	16.2M	
	Pixel Pitch (mm)	0.3075(H) x 0.3075(V)	0.297(H) x 0.297(V)	0.297(H) x 0.297(V)	
	Viewing Angle (H-V)	160° / 160°	140° / 125°	160° / 160°	
	Backlight MTBF (hrs)	50000	50000	40000	
Motherboard	CPU	Intel® Atom™ process N270 1.6GHz CPU	Intel® Atom™ process N270 1.6GHz CPU	Intel® Atom™ process N270 1.6GHz CPU	
	Chipset	Intel® 945GSE + ICH7M	Intel® 945GSE + ICH7M	Intel® 945GSE + ICH7M	
	RAM	Supports one 400MHz or 533MHz DDRII SO-DIMM (2GB Max.)			
I/O Ports and Switches	1 x RJ-45 for RS-232 COM Port 1 x RJ-45 for RS-232/422/485 COM port 1 x RJ-45 for Giga LAN 5 x USB 2.0 (4 in the rear, 1 in front panel) 2 x Power Switch (Inside Front Panel & Rear cover) 1 x Reset Button 1 x DIO (4in / 4out) 1 x Terminal block for 10~28VDC Input 1 x VGA Port 1 x Power Jack			1 x RJ-45 for RS-232 COM Port 1 x RJ-45 for RS-232/422/485 COM port 1 x RJ-45 for Giga LAN 5 x USB 2.0 (4 in the rear, 1 in front panel) 2 x Power Switch (Inside Front Panel & Rear cover) 1 x Reset Button 1 x DIO (4in / 4out) 1 x Terminal block for 10~28VDC Input 1 x VGA Port 1 x Power Jack	1 x RJ-45 for RS-232 COM Port 1 x RJ-45 for RS-232/422/485 COM port 1 x RJ-45 for Giga LAN 5 x USB 2.0 (4 in the rear, 1 in front panel) 2 x Power Switch (Inside Front Panel & Rear cover) 1 x Reset Button 1 x DIO (4in / 4out) 1 x Terminal block for 10~28VDC Input 1 x VGA Port 1 x Power Jack
	Driver Bay	HDD Drive Bay	1 x 2.5 SATA HDD bay or Option HSUPA Module	1 x 2.5 SATA HDD bay or Option HSUPA Module	1 x 2.5 SATA HDD bay or Option HSUPA Module
		SSD	CF Typell	CF Typell	CF Typell
		HSUPA Mobile Solution (Optional)	1 x HSUPA Mobile Module (USB Interface)	1 x HSUPA Mobile Module (USB Interface)	1 x HSUPA Mobile Module (USB Interface)
	Other Function	Watchdog Timer	Software programmable supports 1~255 sec. System reset		
		Audio	AMP 1.5W + 1.5W (internal speaker)	AMP 3W + 3W (internal speaker)	AMP 3W + 3W (internal speaker)
		WiFi	1 x Wireless Lan 802.11 b/g/n Module (internal Mini PCIe interface)		
		Bluetooth	1 x Bluetooth Function (internal USB interface, Bluetooth V2.0)		
Webcam and Digital Microphone		1 x 300K pixel Camera with Digital Microphone (internal USB interface)			
Remote Control		1 x Remote Controller ( LCD On/Off; System Power On/Off; Volume; Brightness)			
Physical	LED Function	1 x Power ON/OFF LED on Front Panel	1 x Power ON/OFF LED on Front Panel	1 x Power ON/OFF LED on Front Panel	
	Construction Material	ABS + PC Plastic front frame	ABS + PC Plastic front frame	ABS + PC Plastic front frame	
	LED Function	1 x Power ON/OFF LED on Front Panel	1 x Power ON/OFF LED on Front Panel	1 x Power ON/OFF LED on Front Panel	
	Mounting	Panel, Wall VESA 75mm x 75mm / 100mm x 100mm			
	Front Panel Color	Black (Black U) / White (Apple white) / Gray (422C)			
Environment	Dimension (WxHxD) (mm)	339 x 276 x 51.6	385.7 x 330.7 x 55.5	385.7 x 330.7 x 55.5	
	Operation Temperature (°C)	0°C ~40°C with 2.5 SATA HDD / -10°C ~50°C with CF Card or SATA interface 2.5 SSD HDD			
	Storage Temperature (°C)	-20°C ~60°C	-20°C ~60°C	-20°C ~60°C	
	Net Weight	1.8 Kg			
	IP Level	IP63	IP63	IP63	
	EMC	CE, FCC, CCC	CE, FCC, CCC	CE, FCC, CCC	
	Safety	CB	CB	CB	
Touch Screen	Resistive Type 5-Wire (Touch controller IC is on board)				
Power Adapter	P/N: 63000-FSP050DBAB1405-RS 50W Power Adapter Input: 90VAC~264VAC, 50/60Hz Output: 12VDC	P/N: 63000-FSP060DBAB1553-RS 60W Power Adapter Input: 90VAC~264VAC, 50/60Hz Output: 12VDC	P/N: 63000-FSP060DBAB1553-RS 60W Power Adapter Input: 90VAC~264VAC, 50/60Hz Output: 12VDC		
	Power Requirement	10~28VDC	10~28VDC	10~28VDC	
Power Consumption	32W	49W	49W		

1  
IEI Mobile Solution

2  
Automation Panel Solutions

3  
Digital Signage

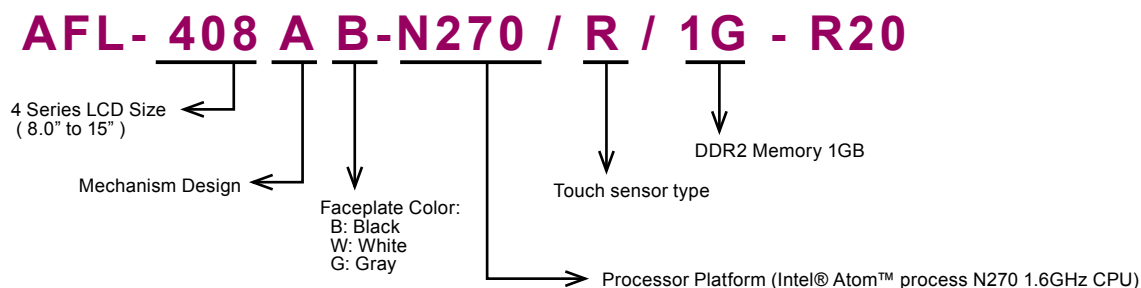
4  
Video Wall Controller/ Splitter

5  
RISC-based Solutions

6  
PACSmate Medical

7  
Optional Peripherals

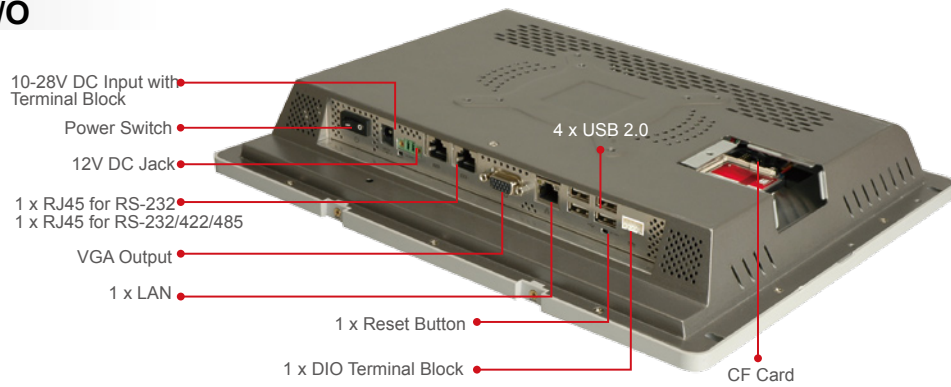
## AFL-4xxx In-wall PPC Product Line Naming Rule



## Ordering Information

Model	Description
8"	<b>AFL-408BB-N270/R/1G-R20</b> 8.0" 250 cd/m <sup>2</sup> , 800x600 fanless In-Wall panel PC with Intel® Atom™ N270 1.6G CPU, 1GB DDR2 RAM, AT/ATX mode, 802.11b/g Wireless, Touch screen and 10-28VDC Wide Range, Black color, R20, RoHS
	<b>AFL-408BW-N270/R/1G-R20</b> 8.0" 250 cd/m <sup>2</sup> , 800x600 fanless In-Wall panel PC with Intel® Atom™ N270 1.6G CPU, 1GB DDR2 RAM, AT/ATX mode, 802.11b/g Wireless, Touch screen and 10-28VDC Wide Range, White Color, R20, RoHS
	<b>AFL-408BG-N270/R/1G-R20</b> 8.0" 250 cd/m <sup>2</sup> , 800x600 fanless In-Wall panel PC with Intel® Atom™ N270 1.6G CPU, 1GB DDR2 RAM, AT/ATX mode, 802.11b/g Wireless, Touch screen and 10-28VDC Wide Range, Gray Color, R11, RoHS
8.4"	<b>AFL-408AB-N270/R/1G-R20</b> 8.4" 450 cd/m <sup>2</sup> , 800x600 fanless In-Wall panel PC with Intel® Atom™ N270 1.6G CPU, 1GB DDR2 RAM, AT/ATX mode, 802.11b/g Wireless, Bluetooth, 300K Pixel Camera W/Microphone, Touch screen and 10-28VDC Wide Range, Black color, R20, RoHS
	<b>AFL-408AW-N270/R/1G-R20</b> 8.4" 450 cd/m <sup>2</sup> , 800x600 fanless In-Wall panel PC with Intel® Atom™ N270 1.6G CPU, 1GB DDR2 RAM, AT/ATX mode, 802.11b/g Wireless, Bluetooth, 300K Pixel Camera W/Microphone, Touch screen and 10-28VDC Wide Range, White Color, R20, RoHS
	<b>AFL-408AG-N270/R/1G-R20</b> 8.4" 450 cd/m <sup>2</sup> , 800x600 fanless In-Wall panel PC with Intel® Atom™ N270 1.6G CPU, 1GB DDR2 RAM, AT/ATX mode, 802.11b/g Wireless, Bluetooth, 300K Pixel Camera W/Microphone, Touch screen and 10-28VDC Wide Range, Gray Color, R20, RoHS
10.2"	<b>AFL-W410AB-N270/R/1G-R20</b> 10.2" 400 cd/m <sup>2</sup> , 1024x600 fanless In-Wall panel PC with Intel® Atom™ N270 1.6G CPU, 1GB DDR2 RAM, AT/ATX mode, 802.11b/g Wireless, Touch screen and 10-28VDC Wide Range, Black color, R20, RoHS
	<b>AFL-W410AW-N270/R/1G-R20</b> 10.2" 400 cd/m <sup>2</sup> , 1024x600 fanless In-Wall panel PC with Intel® Atom™ N270 1.6G CPU, 1GB DDR2 RAM, AT/ATX mode, 802.11b/g Wireless, Touch screen and 10-28VDC Wide Range, White Color, R20, RoHS
	<b>AFL-W410AG-N270/R/1G-R20</b> 10.2" 400 cd/m <sup>2</sup> , 1024x600 fanless In-Wall panel PC with Intel® Atom™ N270 1.6G CPU, 1GB DDR2 RAM, AT/ATX mode, 802.11b/g Wireless, Touch screen and 10-28VDC Wide Range, Gray Color, R20, RoHS
12.1"	<b>AFL-412AB-N270/R/1G-R20</b> 12.1" 500 cd/m <sup>2</sup> , 1024x768 fanless In-Wall panel PC with Intel® Atom™ N270 1.6G CPU, 1GB DDR2 RAM, AT/ATX mode, 802.11b/g Wireless, Bluetooth, 300K Pixel Camera W/Microphone, Touch screen and 10-28VDC Wide Range, Black color, R20, RoHS
	<b>AFL-412AW-N270/R/1G-R20</b> 12.1" 500 cd/m <sup>2</sup> , 1024x768 fanless In-Wall panel PC with Intel® Atom™ N270 1.6G CPU, 1GB DDR2 RAM, AT/ATX mode, 802.11b/g Wireless, Bluetooth, 300K Pixel Camera W/Microphone, Touch screen and 10-28VDC Wide Range, White color, R20, RoHS
	<b>AFL-412AG-N270/R/1G-R20</b> 12.1" 500 cd/m <sup>2</sup> , 1024x768 fanless In-Wall panel PC with Intel® Atom™ N270 1.6G CPU, 1GB DDR2 RAM, AT/ATX mode, 802.11b/g Wireless, Bluetooth, 300K Pixel Camera W/Microphone, Touch screen and 10-28VDC Wide Range, Gray color, R20, RoHS
15"	<b>AFL-415AB-N270/R/1G-R20</b> 15" 350 cd/m <sup>2</sup> , 1024x768 fanless In-Wall panel PC with Intel® Atom™ N270 1.6G CPU, 1GB DDR2 RAM, AT/ATX mode, 802.11b/g Wireless, Bluetooth, 300K Pixel Camera W/Microphone, Touch screen and 10-28VDC Wide Range, Black color, R20, RoHS
	<b>AFL-415AW-N270/R/1G-R20</b> 15" 350 cd/m <sup>2</sup> , 1024x768 fanless In-Wall panel PC with Intel® Atom™ N270 1.6G CPU, 1GB DDR2 RAM, AT/ATX mode, 802.11b/g Wireless, Bluetooth, 300K Pixel Camera W/Microphone, Touch screen and 10-28VDC Wide Range, White color, R20, RoHS
	<b>AFL-415AG-N270/R/1G-R20</b> 15" 350 cd/m <sup>2</sup> , 1024x768 fanless In-Wall panel PC with Intel® Atom™ N270 1.6G CPU, 1GB DDR2 RAM, AT/ATX mode, 802.11b/g Wireless, Bluetooth, 300K Pixel Camera W/Microphone, Touch screen and 10-28VDC Wide Range, Gray color, R20, RoHS
15"	<b>AFL-415AEB-N270/R/1G-R20</b> 15" 250 cd/m <sup>2</sup> , 1024x768 fanless In-Wall panel PC with Intel® Atom™ N270 1.6G CPU, 1GB DDR2 RAM, AT/ATX mode, 802.11b/g Wireless, Bluetooth, 300K Pixel Camera W/Microphone, Touch screen and 10-28VDC Wide Range, Black color, R11, RoHS
	<b>AFL-415AEW-N270/R/1G-R20</b> 15" 250 cd/m <sup>2</sup> , 1024x768 fanless In-Wall panel PC with Intel® Atom™ N270 1.6G CPU, 1GB DDR2 RAM, AT/ATX mode, 802.11b/g Wireless, Bluetooth, 300K Pixel Camera W/Microphone, Touch screen and 10-28VDC Wide Range, White color, R11, RoHS
	<b>AFL-415AEG-N270/R/1G-R20</b> 15" 250 cd/m <sup>2</sup> , 1024x768 fanless In-Wall panel PC with Intel® Atom™ N270 1.6G CPU, 1GB DDR2 RAM, AT/ATX mode, 802.11b/g Wireless, Bluetooth, 300K Pixel Camera W/Microphone, Touch screen and 10-28VDC Wide Range, Gray color, R20, RoHS

## Fully Integrated I/O



## ISMM Support Functions

	Voltage	Fan	Smart Fan	Temperature	DIO	WDT	Beep	Cash Drawer
AFL-408A-N270	V			V	V	V	V	V
AFL-408B-N270								
AFL-W410A-N270	V			V	V	V	V	V
AFL-412A-N270	V			V	V	V	V	V
AFL-415A-N270	V			V	V	V	V	V
AFL-415AE-N270								

## Options

Model	AFL-408A-N270	AFL-408B-N270	AFL-W410A-N270	AFL-412A-N270	AFL-415A-N270	AFL-415AE-N270
Wall mounting kit	AFLWK-12				AFLWK-19	
ARM	ARM-11-RS / ARM-31-RS					
Stand	STAND-A08 / STAND-100-RS		STAND-A12 / STAND-100-RS		STAND-A19, STAND-B19, STAND-210-R11 STAND-A19, STAND-B19, STAND-210-R11	
VSTAND	VSTAND-A10			VSTAND-A12	N/A	N/A
9-30VDC to 12VDC converter module	IDD-930160-KIT				N/A	N/A
OS	OS: Win CE 5.0 (128 MB CF card)	AFLCF-408A-N270-CE-R10		AFLCF-W410-N270-CE	AFLCF-412-N270-CE	AFLCF-415-N270-CE-R10
	OS: Win CE 6.0 (128 MB CF card)	AFLCF-408A-N270-CE060-R10		AFLCF-W410-N270-CE060	AFLCF-412-N270-CE060	AFLCF-415A-N270-CE060-R10
	OS: Win XPE (1 GB CF card)	AFLCF-408A-N270-XPE-R10		AFLCF-W410-N270-XPE	AFLCF-412-N270-XPE	AFLCF-415A-N270-XPE-R10
	OS: Linux (2 GB CF card)	AFLCF-408A-N270-LNX-R10		AFLCF-W410-N270-LNX-R10	AFLCF-412-N270-LNX-R10	AFLCF-415A-N270-LNX-R10
DC 12V Input UPS	AUPS-A10-R10				AUPS-B10-R10	
DC 9-36V Input UPS	AUPS-A20-R10				AUPS-B20-R10	
Faceplate (Black Color)	AFLFP-408A-B-R10	AFLFP-408B-B-R10	AFLFP-W410A-B-R10	AFLFP-412A-B-R10	AFLFP-415A-B-R10	
Faceplate (White Color)	AFLFP-408A-W-R10	AFLFP-408B-W-R10	AFLFP-W410A-W-R10	AFLFP-412A-W-R10	AFLFP-415A-W-R10	
Faceplate (Gray Color)	AFLFP-408A-G-R10	AFLFP-408B-G-R10	AFLFP-W410A-G-R10	AFLFP-412A-G-R10	AFLFP-415A-G-R10	
In-Wall Cage (Options)	AFLIWC-408-R10	AFLIWC-408-R10	AFLIWC-W410-R10	AFLIWC-412-R10	AFLIWC-415-R10	AFLIWC-415-R10

Note: Win CE application without digital microphone function

## Packing List

Item	P/N	Q'ty	Specifications
Screws	44233-030081-RS	4	M3; φ8mm
Power Adapter	63000-FSP036RAB608-RS 63000-FSP050DBAB1405-RS 63000-FSP060DBAB1553-RS	1	90 ~ 264V 12v; 36W / 50W / 60W
Power Cable	32000-000002-RS	1	1750mm, European Standard
User's Manual CD ROM	7B000-000087-RS	1	
Touch Pen	XTR104-0002-RS	1	
Remote Control Unit	72000-8T00320ICP05G-RS	1	

## Removable Faceplate:





## In-Wall Cage

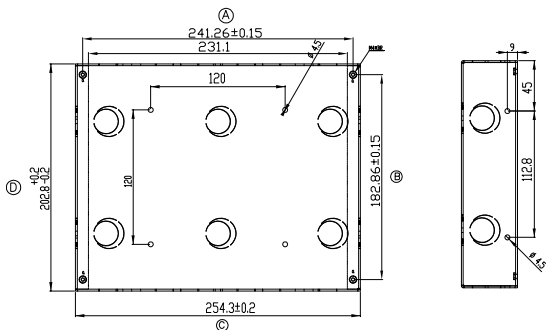
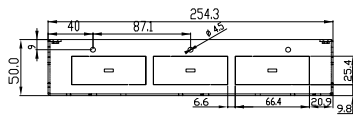


Remove appropriate electrical conduit knockouts prior to installation of the cage.

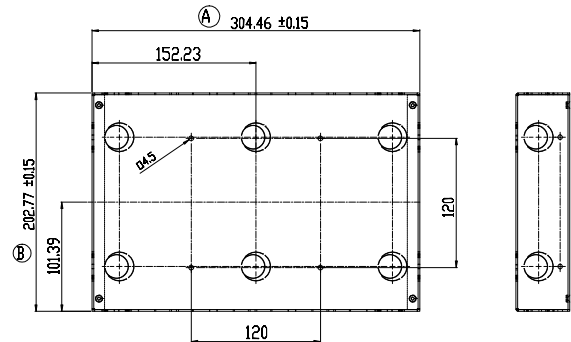
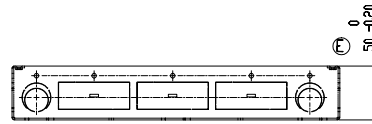


Electrical Knockouts of Wall Cage

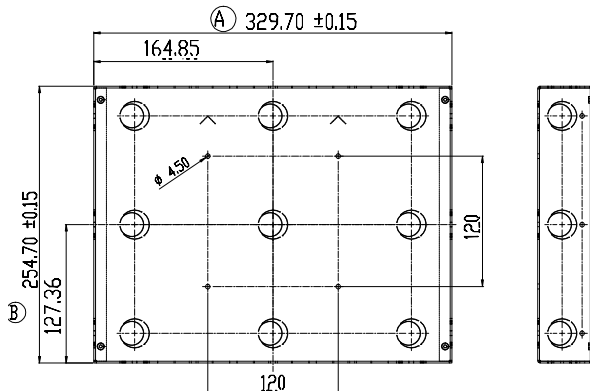
### ● AFLIWC-408A/B-R10



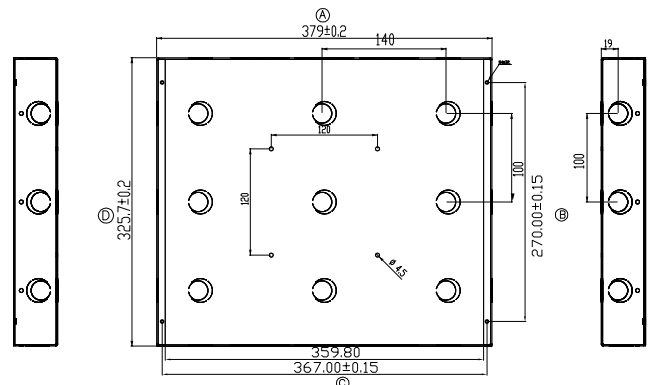
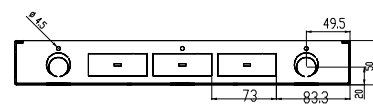
### ● AFLIWC-W410A-R10



### ● AFLIWC-412A-R10



### ● AFLIWC-415A-R10



1  
IEI Mobile Solution

2  
Automation Panel Solutions

3  
Digital Signage

4  
Video Wall Controller/ Splitter

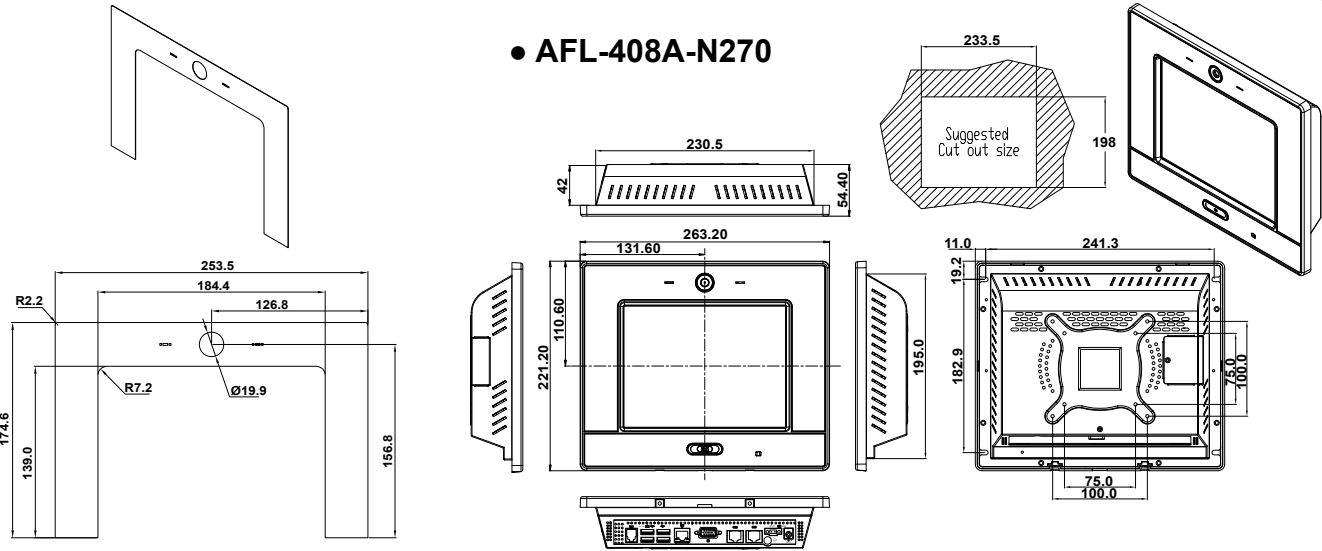
5  
RISC-based Solutions

6  
PACsmate Medical

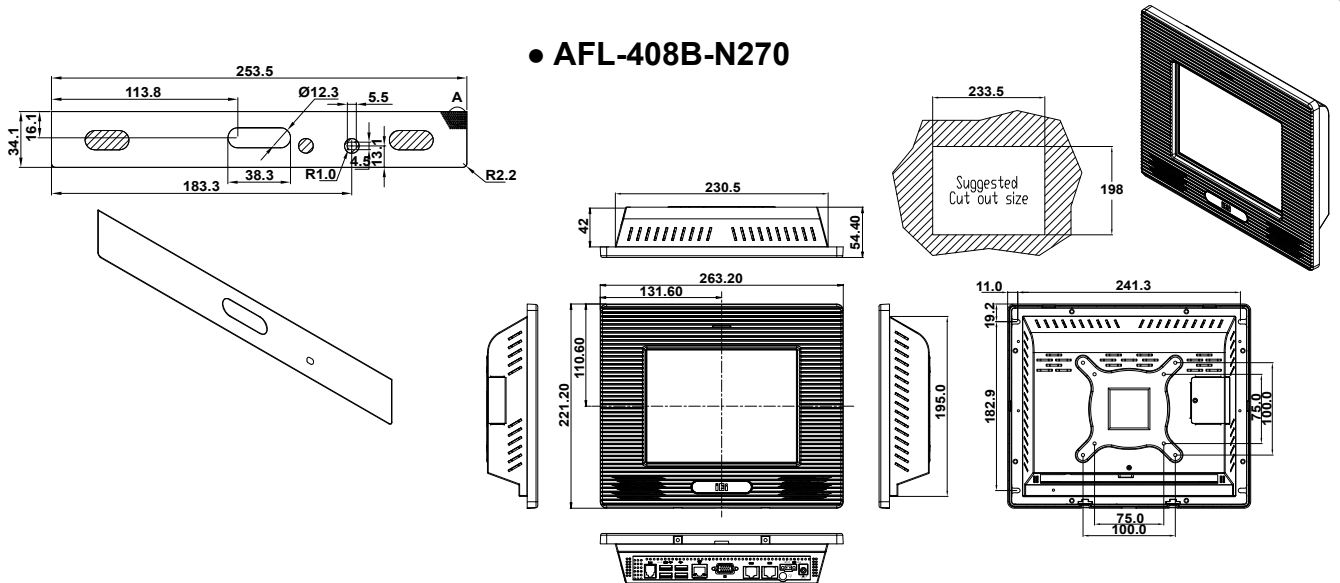
7  
Optional Peripherals

**Dimensions (Unit: mm)**

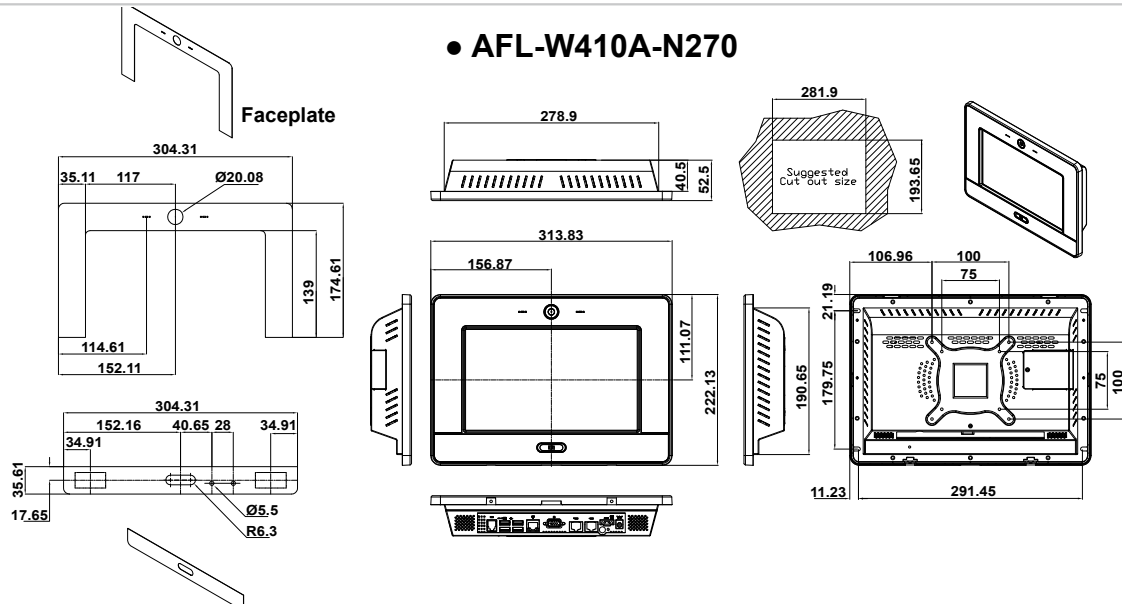
**• AFL-408A-N270**



**• AFL-408B-N270**



**• AFL-W410A-N270**



1  
IEI Mobile Solution

2  
Automation Panel Solutions

3  
Digital Signage

4  
Video Wall Controller/ Splitter

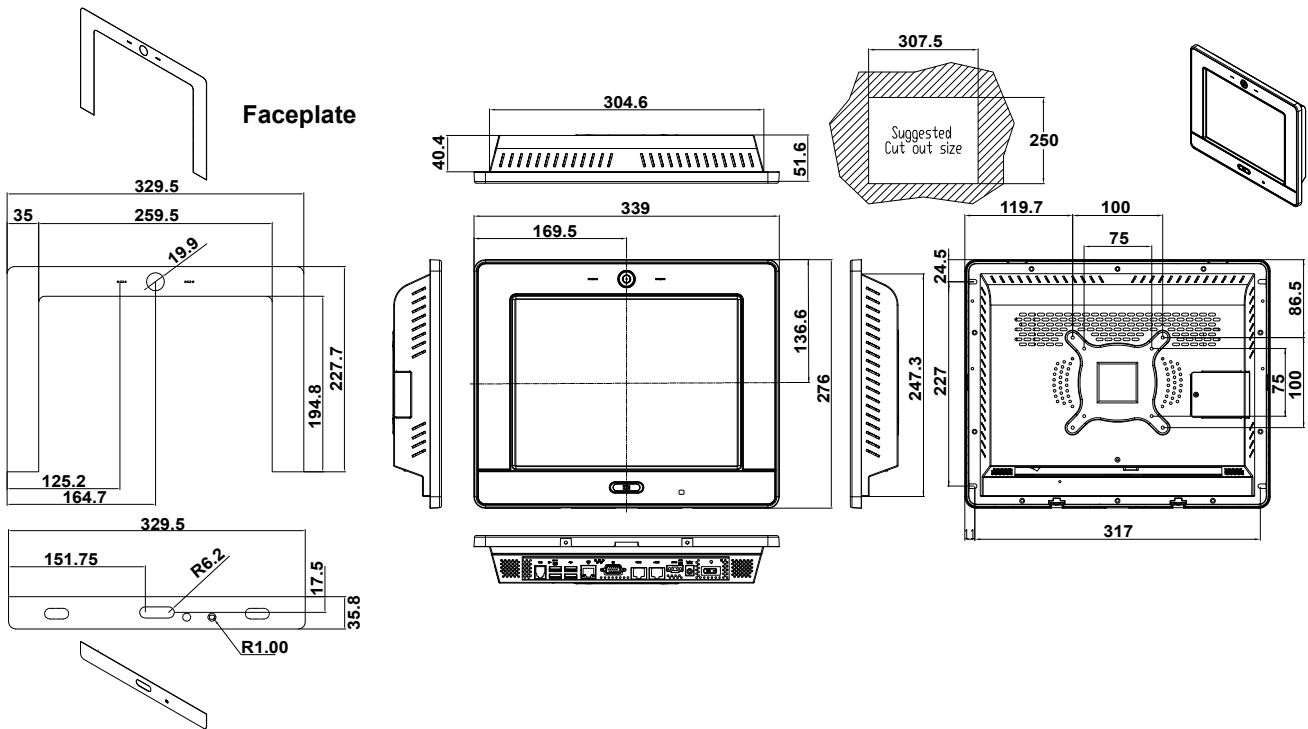
5  
RISC-based Solutions

6  
PACSmate Medical

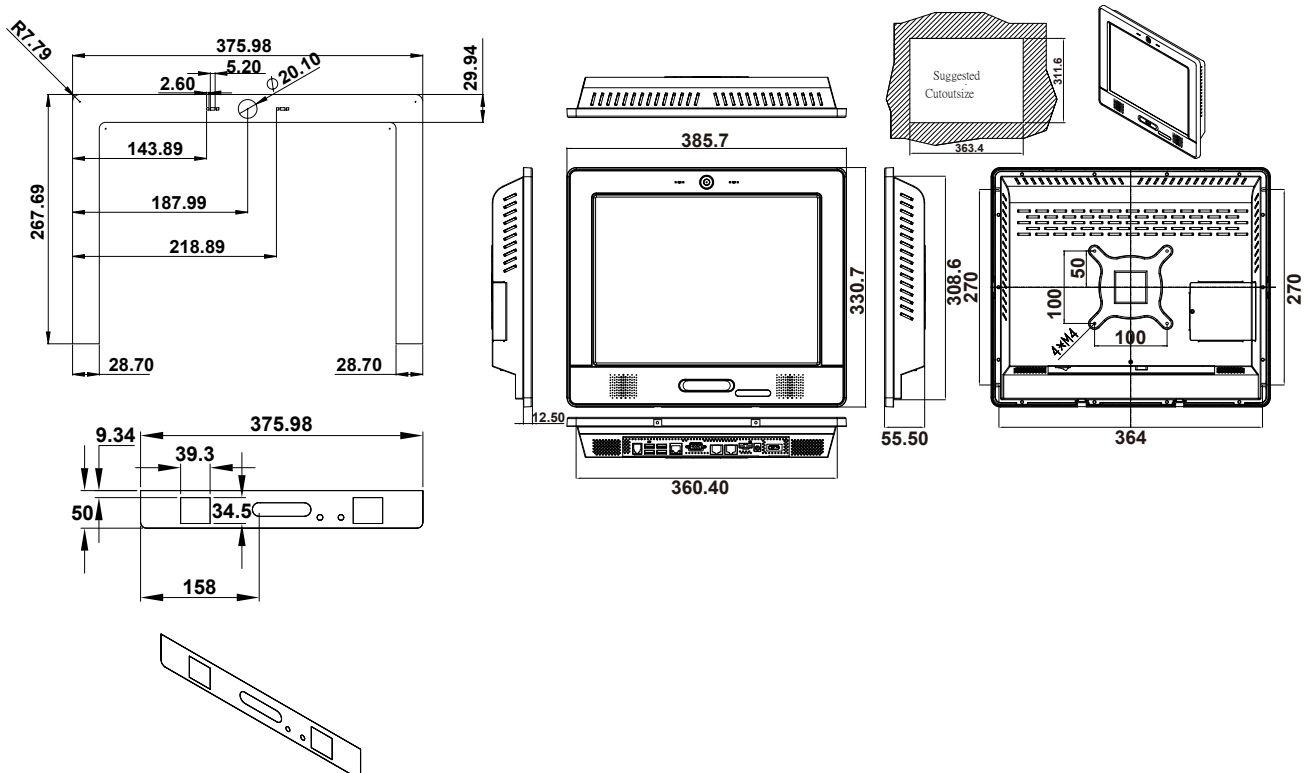
7  
Optional Peripherals

**Dimensions (Unit: mm)**

**• AFL-412A-N270**



**• AFL-415A-N270/AFL-415AE-N270**



1 IEI Mobile Solution

2 Automation Panel Solutions

3 Digital Signage

4 Video Wall Controller/ Splitter

5 RISC-based Solutions

6 PACSmate Medical

7 Optional Peripherals