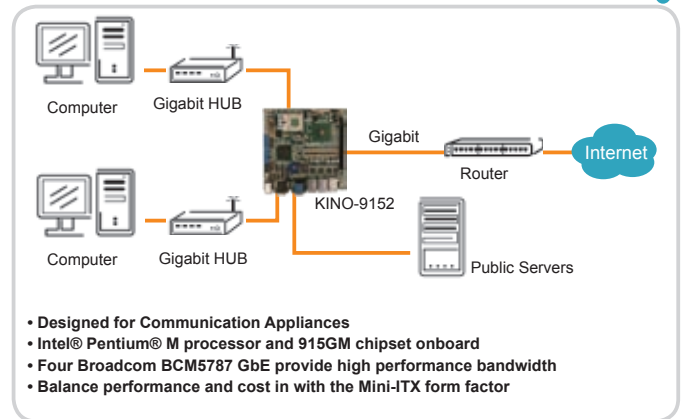
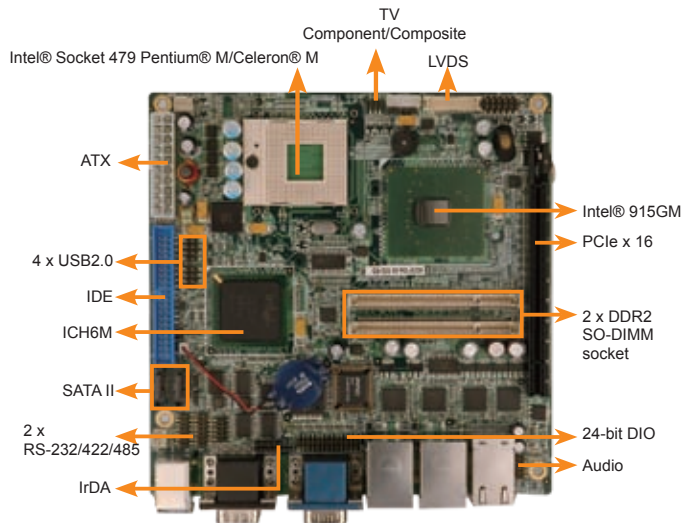
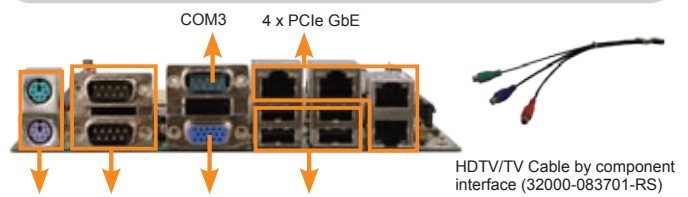


KINO-9152G4

Mini-ITX Motherboard, Intel® Pentium® M/Celeron® M CPU with Four PCIe GbE, VGA/LVDS, SATA, USB 2.0 and Audio



- Designed for Communication Appliances
- Intel® Pentium® M processor and 915GM chipset onboard
- Four Broadcom BCM5787 GbE provide high performance bandwidth
- Balance performance and cost in with the Mini-ITX form factor



Specifications

- ◆ CPU
Socket 479 Intel® Pentium® M, Celeron® M with 400/533MHz FSB
Intel® Celeron® M 1GHz zero cache processor
- ◆ System Chipset
Intel® 915GM + ICH6M
- ◆ BIOS
AMI Flash BIOS
- ◆ System Memory
2 x 200-pin dual channel DDRII 400/533 MHz SO-DIMM up to 2GB
- ◆ Ethernet
Four Broadcom BCM5787M PCIe GbE chipsets with ASF 2.0 for KINO-9152G4
One Broadcom BCM5787M PCIe GbE chipsets with ASF 2.0 for KINO-9152/KINO-9152-1GZ
- ◆ I/O Interface
4 x RS-232 2 x RS-232/422/485 for KINO-9152G4
1 x RS-232 1 x RS-232/422/485 for KINO-9152/KINO-9152-1GZ
8 x USB 2.0
2 x SATA
1 x IDE
2 x PS2 for KB/MS
- ◆ Expansion
1 x PCIe x16
- ◆ Digital I/O
24-bit digital I/O, 12-bit input/ 12-bit output (KINO-9152G4 only)
- ◆ IrDA
1 x IrDA by pin header (KINO-9152G4 only)
- ◆ Super I/O
ITE IT8712F
- ◆ Display Interface
VGA Integrated in Intel® 915GM
18-bit dual channels LVDS by Intel® 915GM
Composite output for NTSC/PAL TV out function
Component output for upto 1080p HDTV out function
- ◆ Audio
AC'97 codec with Realtek ALC655
- ◆ Watchdog Timer
Software programmable supports 1 ~255 sec. System reset
- ◆ Power Supply
AT/ATX Power
- ◆ Power consumption
5V@5.18A, 12V@2.6A, 5Vsb@0.52A (Intel Pentium M 2.13GHz/533 MHz with 1GB DDR2, 3D MARK2001)
- ◆ Temperature operation: 0°C ~ 60°C (32°F ~ 140°F)
- ◆ Humidity operation: 5% ~95% non-condensing

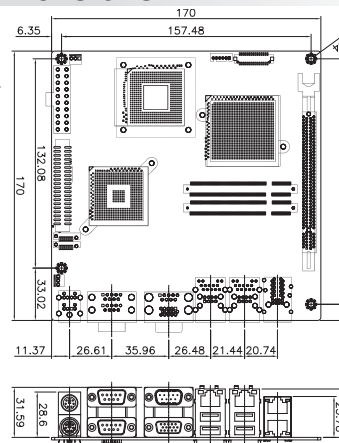
Packing List

- 1 x KINO-9152G4 Single Board Computer
- 1 x Mini Jumper Pack
- 1 x ATA66/100 Flat Cable (P/N: 32200-000052-RS)
- 2 x SATA cable (P/N: 32000-0628000-RS)
- 1 x SATA Power cable (P/N: 32100-088600-RS)
- 1 x Audio cable (P/N: 32000-072100-RS)
- 1 x I/O Shielding
- 1 x Utility CD
- 1 x QIG

Features

1. Intel® Pentium® M, Celeron® M processor with 400/533 MHz FSB
2. Dual channel DDR2 400/533 MHz support up to 2GB
3. Four High performance Broadcom PCI Express Gigabit Ethernet controller
4. Support 24-bit Digital Input/Output function
5. 4 x RS-232, 2 x RS-232/422/485
5. 2 x SATA, 8 x USB 2.0

Dimensions



Ordering Information

Part No.	Description
KINO-9152G4-R10	Mini-ITX Motherboard, Intel® Pentium® M/Celeron® M CPU with VGA/LVDS, Four PCIe GbE, SATAII, USB 2.0 and Audio
KINO-9152-R10	Mini-ITX Motherboard, Intel® Pentium® M/Celeron® M CPU with VGA/LVDS, single PCIe GbE, SATAII, USB 2.0 and Audio
KINO-9152-1GZ-R10	Mini-ITX Motherboard with ULV Intel® Celeron® M 1GHz zero cache CPU with VGA/LVDS, single PCIe GbE, SATAII, USB 2.0 and Audio
CB-USB02-RS	USB Cable
CF-479B-RS	CPU Cooler (50mm x 50mm x 26mm)
32000-083702-RS	HDTV/TV Cable with Component Output (pin header 2.0 mm pitch)
32200-000049-RS	Single RS-232 Cable
32200-026500-RS	RS-232/422/485 cable