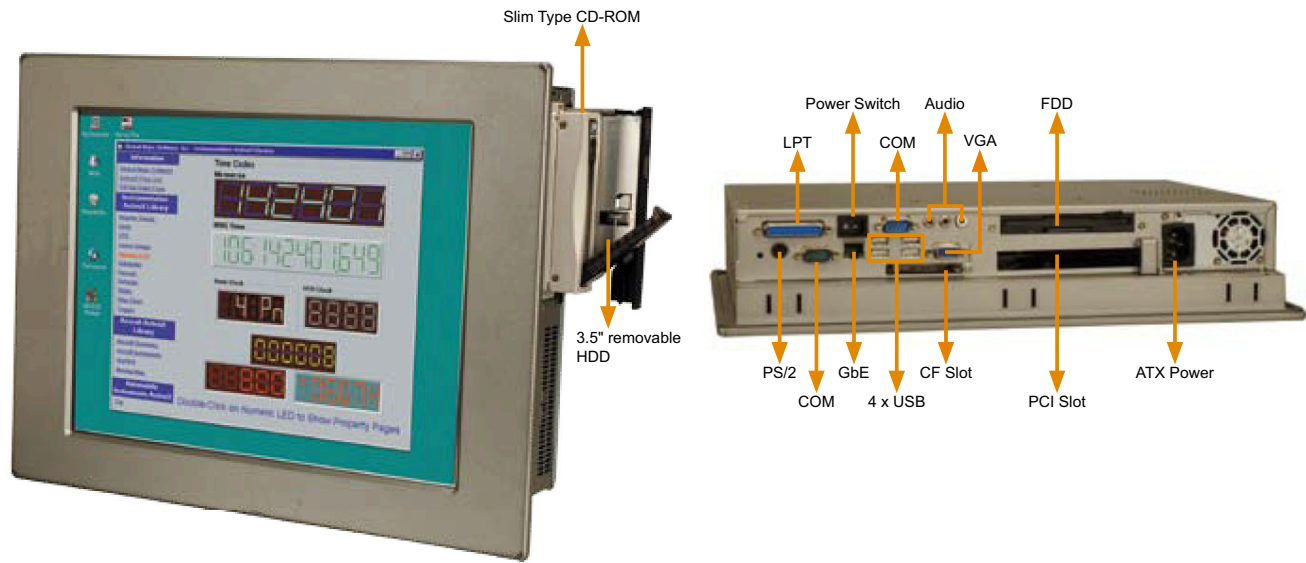


PPC-3715GS

Pentium® M / Celeron® M Panel PC with 15" TFT LCD and Touchscreen



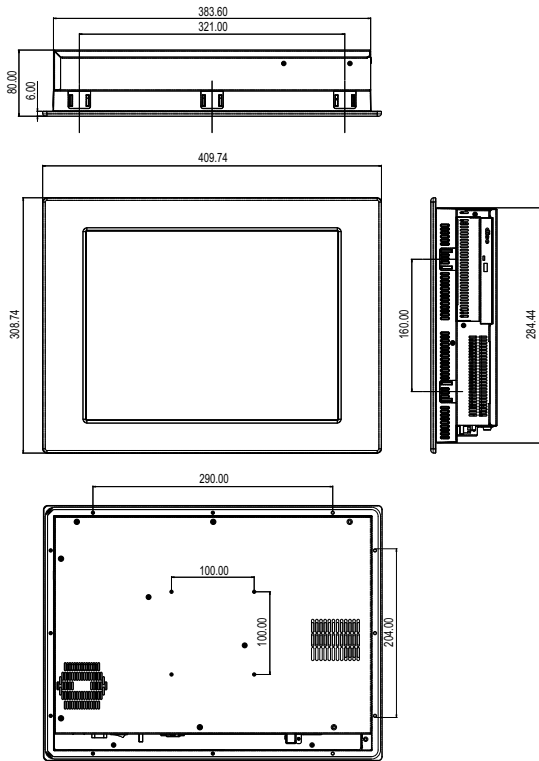
Features

1. 15" panel PC with 8 cm thickness design
2. Low power Intel® Pentium® M or Celeron® M Enano-6612 industrial main board
3. Supports one 1 GB (max.) 400/333 MHz DDR SO-DIMM
4. Unique rear panel hinge design decreasing the maintenance cost, time and expense
5. Removable 3.5" HDD module (optional)

Specifications

CPU	Socket 479 Intel® Pentium® M or Celeron® M with a 533 MHz (max.) FSB	Touch Screen	5-wire resistive type with RS-232 interface.
		LCD	- Resolution :1024 x 768 (XGA) - Brightness : 300 cd/m ² - Contrast Ratio : 500:1 - Viewing Angle (H-V):140/130 - Backlight MTBF : 50000hrs
Chipset	SiS661CX + SiS964	Operating Temperature	0 °C~ 50°C.
Memory	1 x 1 GB (max.) 400/333 MHz DDR SO-DIMM socket	Storage Temperature	-20°C ~ 60°C.
VGA	SiS661CX supports dual display	Vibration	- 5~17Hz 0.1" double amplitude displacement - 17~640 Hz 1.5G acceleration peak to peak
SSD	CF Type II	Shock	10G acceleration peak to peak. (11ms)
Drive Bay	- 1 x 3.5" SATA/IDE removable HDD bay - 1 x Slim Type CD-ROM bay - 1 x Slim Type FDD bay	Relative Humidity	5% ~ 95% @ 60°C, non-condensing
Ethernet	1 x Realtek RTL8110S Gigabit Ethernet controller	Net / Gross Weight	8 Kg /12 Kg
Audio	AC'97 2.3 Realtek ALC655	Dimensions (W x H x D)	410 mm x 309 mm x 80 mm
I/O	- 1 x RS-232/422/485 port - 1 x RS-232 port - 4 x USB 2.0 port - 1 x PS/2 port (KB/MS) - 1 x LPT - 1 x VGA out - 1 x LAN - 3 x Audio (Lin-in, Line-out, MIC-in) - 2 x IDE - 2 x SATA	Power Supply	ATX Power - 150W, ACE-816APS-RS - Input: 90 ~ 240VAC @ 50/60Hz - Output (max.): 3.3V @ 10A, 5V @ 14A, 12V@4.2A, -12V@0.3A
		Front Panel Protection	IP 65 compliant
Expansion Slot	1 x PCI slot	Certificate	Meets CE, FCC

Dimensions (Unit: mm)



Packing List

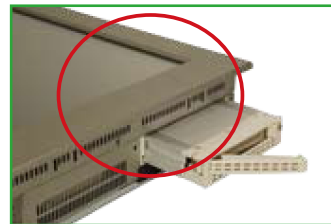
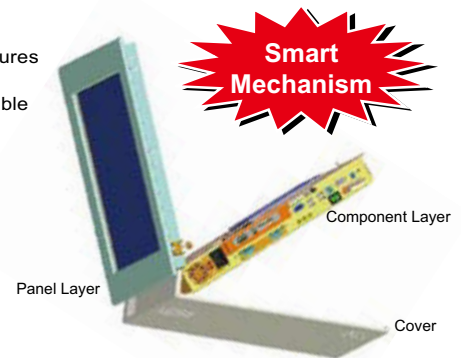
Part Number	Description	Amount
19B00-000012-RS	CD-ROM Installation Kit	1
32000-080800-RS	HDD IDE Cable (3 x 40-pin)	1
320000-080900-RS	HDD IDE Cable (3 x 44-pin)	1
32000-064000-RS	HDD SATA Cable (2 x 44-pin + 40-pin)	1
32000-080700-RS	SATA HDD Cable	2
SLIM-05-RS	Slim Type FDD Adapter	1
32400-002300-RS	FFC Cable	1
32000-000002-RS	Power Cord	1
3100-000079-RS	Jumper Pack	1
32000-000138-RS	PS/2 Cable	1
32000-000049-RS	RS-232 Cable	1
32000-026500-RS	RS-422/485 Cable	1
WK-150MS-R10	Wall Mounting Kit	1
PK-150M	Panel Mounting Kit	1
19600-000209-RS	Screw Kit	1
	CPU Cooler	1
	User Manual & Driver CD	1
	Touch Screen Driver CD / Touch Pen (For T-R model only)	1

Ordering Information

PPC-3715GS/6612-CM370/4518AP/T-R/512MB	15" 350 cd/m ² XGA TFT Panel PC with Enano-6612, 1.5 GHz Intel® Celeron® M CPU, 512MB RAM, ACE-4518AP, touch screen Silver color, RoHS
PPC-3715GS/6612-CM370/A4520C/T-R/512MB	15" 350 cd/m ² XGA TFT Panel PC with Enano-6612, 1.5 GHz Intel® Celeron® M CPU, 512MB RAM, ACE-4520C, touch screen Silver color, RoHS

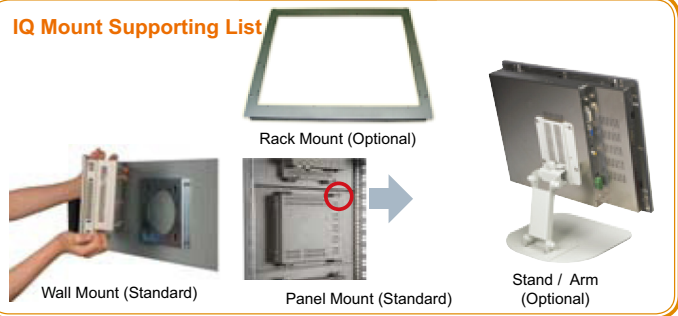
Unique Rear Hinge & Removable HDD

Multi-layer design ensures easy maintenance as well as saving the trouble shooting time.



The removable HDD module is a simple and effective feature to meet customers' needs in terms of removable storage and data back-up. This design not only makes data mobile and secure but also suits the convenience of expanding capacity.

IQ Mount Supporting List



Power Supply Options

Type	Model No.	Watt	Remark
AT	ACE-916AP-RS	160W	
ATX AC-input	ACE-4518AP-RS	180W	Standard
ATX DC-input	ACE-4520C-RS	200W	Standard (24VDC input)

Options

RK-150MS-R10	Rack Mount kits
ARM-31-RS	LCD Monitor Arm
STAND-100-RS/STAND-210-RS	LCD Monitor Stand
7G000-ST1110-RS	3.5" SATA HDD Removable Drive Bay
7G000-BA1110-RS	3.5" IDE HDD Removable Drive Bay