

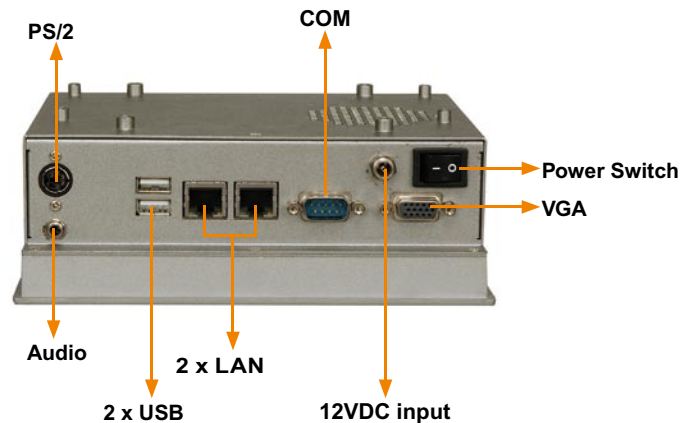
# PPC-2706GS AMD® Geode LX800 Panel PC with 6.5" TFT LCD and Touch Screen



## Feature

- 6.5" TFT VGA LCD
- AMD® Geode LX-800 processor
- DDR 333/400MHz SO-DIMM memory up to 1GB
- Dual 10/100Mbps Ethernet
- One Compact Flash Type I/II socket
- Aluminum Die Casting front panel with IP 65 standard

## Fully Integrated I/O

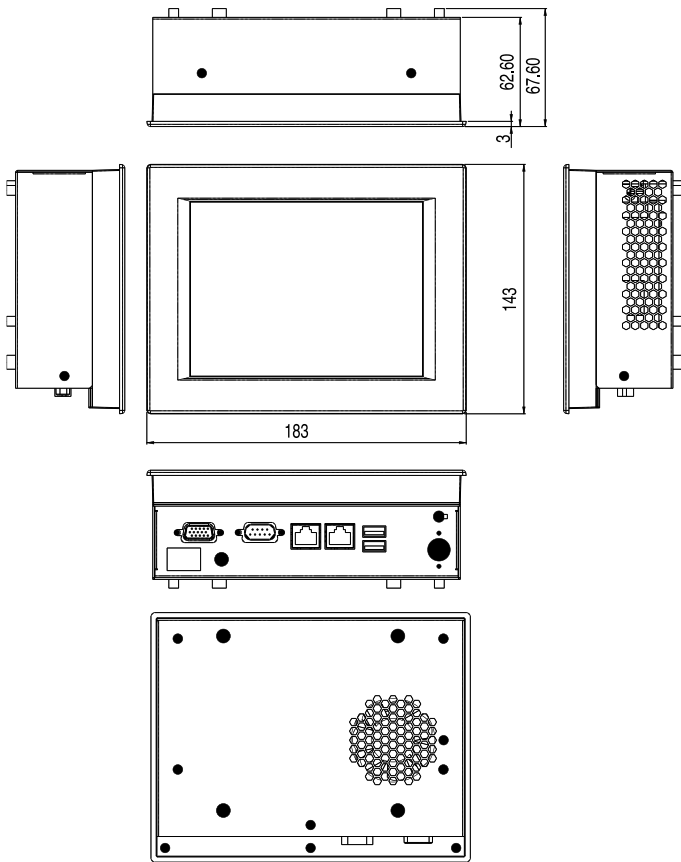


## Specification

<b>CPU Board</b>	WAFER-LX800	<b>Touch Screen</b>	Optional 4-wire resistive type with RS-232 interface.
<b>CPU</b>	AMD® Geode LX800	<b>LCD</b>	<ul style="list-style-type: none"> <li>- Resolution :640 x 480 (VGA)</li> <li>- Brightness : 400 cd/m<sup>2</sup></li> <li>- Contrast Ratio : 550:1</li> <li>- Viewing Angle (H-V):140/120</li> <li>- Backlight MTBF : 50000hrs</li> </ul>
<b>Chipset</b>	AMD LX 800 + CS5536	<b>Operating Temperature</b>	0 ~ 50°C.
<b>Memory</b>	1 x DDR 333/400MHz SO-DIMM socket up to 1G	<b>Storage Temperature</b>	-20 ~ 60°C.
<b>VGA</b>	AMD® Geode LX800	<b>Vibration</b>	- 5~17Hz 0.1" double amplitude displacement - 17~640 Hz 1.5G acceleration peak to peak
<b>SSD</b>	CF Type II	<b>Shock</b>	10G acceleration peak to peak. (11ms)
<b>Drive Bay</b>	- 1 x 2.5" SATA/IDE HDD bay	<b>Relative Humidity</b>	5 ~ 95% @ 60° C, non-condensing
<b>Ethernet</b>	Dual RTL8100C 10/100Mbps	<b>Net / Gross Weight</b>	1.4/ 3.4 Kg
<b>Audio</b>	AC '97 2.3 Realtek ALC 655	<b>Dimensions</b>	183(w) x 143(H) x 62.6(D)mm
<b>I/O</b>	<ul style="list-style-type: none"> <li>- 1 x RS-232 ports</li> <li>- 2 x USB 2.0 ports</li> <li>- 1 x PS/2 ports (KB/MS)</li> <li>- 1 x VGA out</li> <li>- 2 x LAN</li> <li>- 1 x Audio (Line-out)</li> <li>- 1 x IDE</li> <li>- 2 x SATA</li> </ul>	<b>Power Supply</b>	AC adapter - 60W, 63000-FSP0601AD101C712-RS - Input: 90 ~ 240VAC @ 50/60Hz, Output: 12VDC
		<b>Front Panel Protection</b>	IP 65 Complaint
<b>Expansion Slot</b>	N/A	<b>Certificate</b>	Meets CB-60950-1 / FCC / CCC-GB4943

High Luminance  
500 cd/m<sup>2</sup> Version  
Available

## Dimensions



## WAFER-LX800

- 3.5" form factor, AMD® LX800 processor embedded board with RoHS compliance
- DDR 333/400MHz SO-DIMM SDRAM up to 1GB
- Complete I/O support with 2xSATA, IDE,CFII, PC/104, dual LAN and 4xUSB2.0



## Compact Size

The compact size is suitable for any places with space limitations.

**Only 64.6mm**



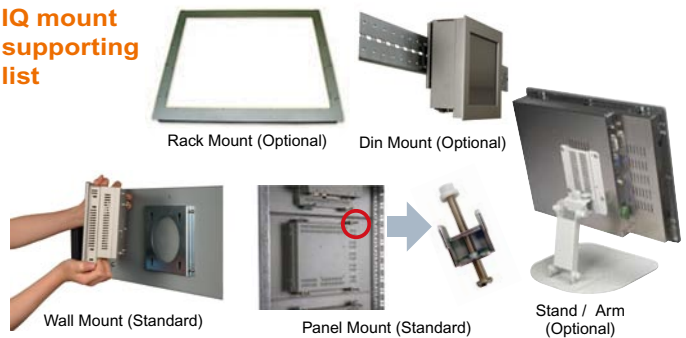
With Din Mount design, adapt easily to working environments



## Packing List

Part Number	Description	Amount
19600-000207-RS	Screw Kit	1
33100-000033-RS	Jumper Pack	1
32000-000002-RS	Power Cord	1
63000-FSP601AD101C712-RS	Power Adapter	1
32000-000138-RS	PS/2 Cable	1
PK-065M	Panel Mounting Kits	1
WK-065MS-R10	Wall Mounting Kits	1
	Touch Screen Driver CD / Touch Pen ( For T-R model only)	1
	HDD IDE Cable	2
	User Manual & Driver CD	1

## IQ mount supporting list



## Options

<b>RK-065MS-R10</b>	Rack mount kits
<b>ARM-11-RS</b>	LCD Monitor Arm
<b>STAND-100-RS</b>	LCD Monitor Stand
<b>DK-065MS</b>	Din Mounting Kits

## Ordering Information

<b>PPC-2706GS/LX-800</b>	6.5" 400 cd/m2 TFT Panel PC with WAFER-LX-800 and Silver color, RoHS
<b>PPC-2706GS/LX-800/T-R</b>	6.5" 400 cd/m2 TFT Panel PC with WAFER-LX-800, Silver color and Touch Screen, RoHS
<b>PPC-2706GHS/LX-800</b>	6.5" 500 cd/m2 TFT Panel PC with WAFER-LX-800 and Silver color, RoHS
<b>PPC-2706GHS/LX-800/T-R</b>	6.5" 500 cd/m2 TFT Panel PC with WAFER-LX-800, Silver color and Touch Screen, RoHS

