

SAILOR-12A **NEW**

12.1" Full IP67 Panel PC

Full IP67
Up to 1 meter of submersion



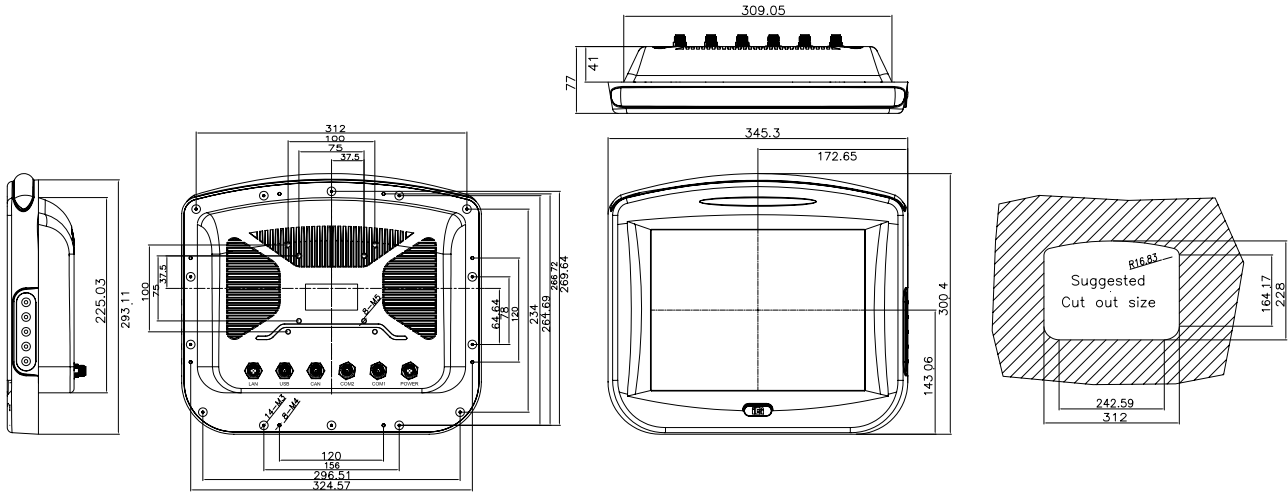
Specifications

Note: Please refer to page 20 to 25 for details

Model		Sunlight Readable	Regular Brightness
		SAILOR-12ASR/M12	SAILOR-12A/M12
Display	LCD Size	12.1"	
	Max Resolution	1024 x 768	
	Brightness (cd/m ²)	1000	400
	Contrast Ratio	700 : 1	500 : 1
	LCD Color	262K	262K
	Pixel Pitch (mm)	0.240mm(H) x 0.240mm(V)	0.240mm(H) x 0.240mm(V)
	Lamp Life Time (hrs)	50000	60000
Mainboard	CPU	N270 (Atom 1.6GHz)	
	Chipset	Mobile Intel 945GSE Chipset + ICH7M	
	RAM	1 x 200-pin SO-DIMM DDR2 400/533 MHz up to 2GB	
I/O Interface		1 x 5pin M12 connector for POWER Adapter	
		1 x 8pin M12 connector for two USB	
		1 x 5pin M12 connector for CAN bus and Audio line out	
		1 x 8pin M12 connector for UART RS-232/422/485	
		1 x 8pin M12 connector for UART RS-232	
Storage	IDE	1x CFII	
	HDD Drive Bay	1 x 2.5" SATA HDD bay	
Extension		1 x Wireless Lan Module (802.11 b / g / n) (internal Mini PCIe interface)	
Membrane Keypad Functions		LCD ON/OFF	
		Brightness Control	
		Volume Control	
		Auto dimming Control	
Environment	Mounting	VESA 75 / VESA 100	
	Front Panel Color	Silver (Pantone 8403C)	
	Dimensions (W x H x D) (mm)	345.3 mm x 300.4 mm x 77 mm	
	Operation Temperature (°C)	-10°C ~50°C	
	N/G Weight	4.2 kg	
	IP Level	IP67 Sealed	
	Power Consumption	43W	32W
Safety & EMI	CE / FCC / CCC / CB		

- 1 Automation
- 2 Point of Service
- 3 Digital Signage
- 4 RISC-based Solutions
- 5 Medical Solutions

Dimensions (Unit: mm)



Packing List

Item	Part Number	Q'ty	Specifications
Panel mount screws Pack	44013-030041-RS	1	
Power cable	32000-127500-RS	1	2000mm;16AWG; (A) terminal block connector; (B) M12 Waterproof connector
Utilities CD	7B000-000087-RS	1	
Touch Pen	XTR104-0002-RS	1	



Options

Model	SAILOR-12A/M12
Wall mounting kit	AFLWK-12
Rack mounting kit	SAILORRK-12
ARM	ARM-11-RS / ARM-31-RS
Stand	STAND-A12 / STAND-100-RS / STAND-150-RS
OS: WinCE 6.0	SAILORCF-12-ATOM-CE060-R10
OS: WinXPE	SAILORCF-12-ATOM-XPE-R10
OS: Linux	SAILORCF-12-ATOM-LNX-R10

Optional cables and adapter

Item	Part Number	Description
USB cable	CB-M12USB02-R10	USB cable; 3000MM; 24AWG; (A) USB A type 4-pin FEMALE X2; (B) M12 waterproof connector
RJ45 LAN cable	CB-M12RJ45-R10	RJ45 LAN cable; 3000MM; 24AWG; (A) RJ45 PLUG 8P8C (B) M12 waterproof connector
DB-9 COM port cable	CB-M12COM-R10	COM PORT cable; 3000MM; 24AWG; (A) D-SUB 9P MALE (B) M12 waterproof connector
DB-9 CAN bus and AUDIO line-out cable	CB-M12ACAN-R10	CAN bus AND AUDIO CABLE;3000MM;24AWG; (A) D-SUB 9P FEMALE (B) M12 waterproof connector
AUDIO line-out cable	CB-M12AUDIO-R10	AUDIO CABLE;3000MM;24AWG; (A) STEREO JACK Ø3.5MM; (B) M12 waterproof connector
Water-proof Power Adapter	63000-CLG6012IC-RS	Input: AC:90V~264V Output: 12V/5A;60W;M12 waterproof connector 5P



Ordering Information

Part Number	Description
SAILOR-12A-ATOM-N270/WT-R/1GB-M12-R10	12.1" 400 cd/m ² XGA fanless panel PC with Intel® Atom™ N270 CPU 1.6GHzU,802.11 b/g/n wireless module,touch screen,1GB DDR2 553 MHz, M12, RoHS
SAILOR-12ASR-ATOM-N270/WT-R/1GB-M12-R10	12.1" 1000 cd/m ² XGA fanless panel PC with Intel® Atom™ N270 CPU 1.6GHzU,802.11 b/g/n wireless module,touch screen,1GB DDR2 553 MHz, M12, RoHS

1

Automation

2

Point of Service

3

Digital Signage

4

RISC-based Solutions

5

Medical Solutions