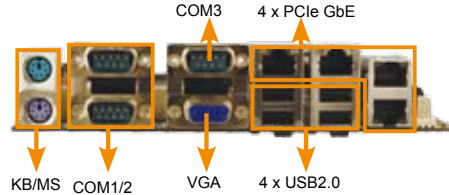
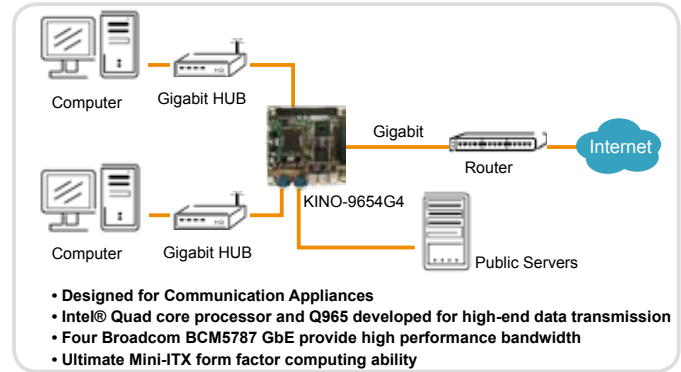
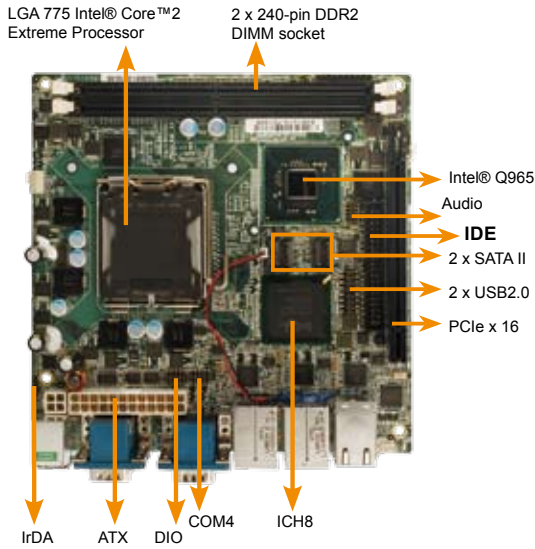


KINO-9654G4

Mini-ITX Motherboard, Intel® Core™2 Extreme CPU with VGA, Four PCIe GbE, USB 2.0 and SATAII



Specifications

- ◆ CPU
LGA 775 Intel® Core™2 Extreme, Core™2 Quad, Core™2 Duo, Pentium® D, Celeron® D with 533/800/1066MHz FSB
- ◆ System Chipset
Intel® Q965 + ICH8
- ◆ BIOS
AMI Flash BIOS
- ◆ System Memory
2 x 240-PIN Dual channel DDRII 533/667/800 MHz up to 4GB
- ◆ Ethernet
Four Broadcom BCM5787M PCIe GbE chipsets
- ◆ I/O Interface
4 x RS-232
6 x USB 2.0
2 x SATAII
1 x IDE
2 x PS2 for KB/MS
- ◆ Expansion
1 x PCIe x16
- ◆ Digital I/O
8-bit digital I/O, 4-bit input/ 4-bit output
- ◆ IrDA
1 x IrDA by pin header
- ◆ Super I/O
IT8712F
- ◆ Display Interfaces
VGA Integrated in Intel® Q965
- ◆ Audio
7.1 channel HD audio kit with Realtek ALC883 codec supports dual audio streams
- ◆ Watchdog Timer
Software programmable supports 1 ~255 sec. System reset
- ◆ Power Supply
ATX Power
- ◆ Power consumption
5V@6.62A, 12V@7.56A, 3.3V@ 5.15A(Intel Core2 Extreme QX6700 2.66GHz/ 1066MHz CPU with 1GB DDR2 800MHz)
- ◆ Temperature
operation: 0°C ~ 60°C (32°F ~ 140°F)
- ◆ Humidity
operation: 5% ~95% non-condensing
- ◆ Dimension
170mm x 170mm
- ◆ Weight
GW: 1000g / NW: 400g

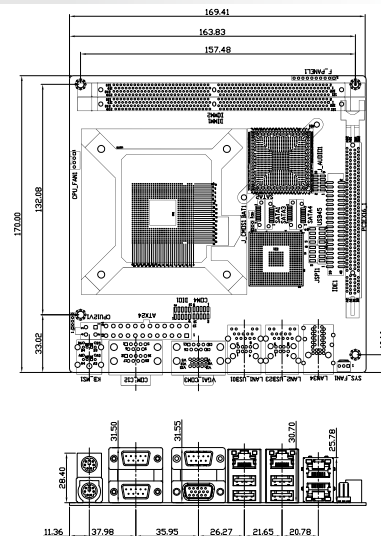
Packing List

- 1 x KINO-9654G4 Single Board Computer
- 1 x Mini Jumper Pack
- 1 x ATA66/100 Flat Cable (P/N: 32200-000052-RS)
- 2 x SATA cable (P/N: 32000-0628000-RS)
- 1 x SATA Power cable (P/N: 32100-088600-RS)
- 1 x 1 x RS-232 Cable (P/N: 32200-000049-RS)
- 1 x I/O Shielding
- 1 x Utility CD
- 1 x QIG

Features

1. Mini-ITX Form Factor and RoHS compliance
2. Intel® Core™2 Extreme processor in the LGA 775 package
3. Integrated Intel® GMA 3000 graphics engine that offers adequate display quality via Intel® Q965
4. Four High performance PCI Express Gigabit Ethernet controller
5. Dual channel DDRII 533/667/800 MHz SDRAM support up to 4GB
6. 4 x RS-232, 6 x USB 2.0 and 4 x SATAII

Dimensions



Ordering Information

Part No.	Description
KINO-9654G4-R10	Mini-ITX Motherboard, Intel® Core™2 Extreme, Core™2 Quad, Core™2 Duo CPU with VGA, Four PCIe GbE, USB 2.0 and SATAII
CB-USB02-RS	Dual USB Cable
AC-KIT-883HD-R10	7.1 Channel HD Audio Kit with Realtek ALC883 supports dual audio streams
CF-520-RS	CPU Cooler (115mm x 115mm x 67mm, 115W)
CF-775A-RS	CPU Cooler (92mm x 92mm x 73mm, 130W)
SDVO-100VGA-R10	PCIe x16 VGA Output SDVO Card supports dual display (IEI CPU board only)

- 1 Single Board Computer
- 2 VIDEO CARD
- 3 Xscale Solutions
- 4 Open HMI
- 5 VITO Universal Controller
- 6 DINO BLADE
- 7 LCD Product Series
- 8 Embedded System
- 9 Industrial Computer Chassis
- 10 Power Supply
- 11 Peripherals