



# AFOLUX All-in-One In-wall Panel PC

8"~15" Fanless Panel PC with Changeable Faceplate and Sticker Skin

Changeable Faceplate  
Sticker Skin

Changeable  
Faceplate

Easy In-Wall  
Mounting



## Fanless

An on-board 1.6GHz Intel® Atom™ N270 CPU ensures low power requirements. Metal casting design housing replaces the fan as it helps the dissipate heat.

## Changeable Faceplate/Sticker Skin

Multiple faceplate/skin sticker available to match diverse decoration styles

## Easy In-wall in minutes

In-wall mounting just three simple steps: cut-out the panel , screw on and put on the faceplate

## VESA Mounting Compliant



[www.ieiworld.com](http://www.ieiworld.com)

# 8"~15" All-in-One In Wall Touch Panel PC based on Intel® Atom™ Processor

The panels AFL-4xxx series with streamlined design based on Intel® 's ATOM processor is designed in flexible patterns to meet your diverse decoration styles.



## Features

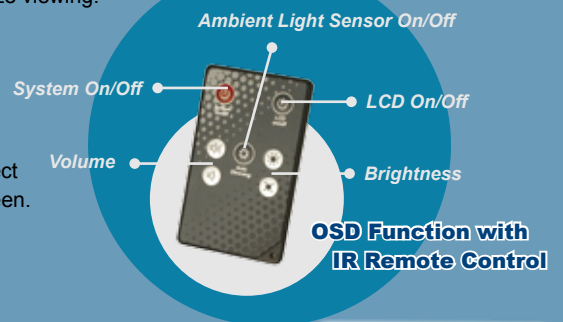
- 8" ~ 15" TFT LCD with resistive touch screen.
- Fanless system with Intel® Atom™ process N270 1.6GHz CPU
- Changeable faceplate and sticker skin
- In-wall mechanism design allows easy to installation in minutes
- Digital I/O RJ-12 port that provides extension for peripherals such as a cash drawer device, lamp, alarms etc.
- Build-in CMOS camera with digital microphone and two 1.5W speakers for multimedia applications
- Enabling easier access to the internet through a HSUPA network (Optional)
- Built-in bluetooth technology rids systems of cables and allows wireless connection to peripheral devices like head phones, keyboard and mouse
- VESA-mountable for flexibility in mounting and deployment
- Ambient light sensor detects ambient light for automated screen adjustments to optimize viewing.
- IP64 front panel compliant
- Windows XP Embedded/Windows CE/Linux (Debian 2.6.26) Support

## Ambient Light Sensor

AFL-4xxx series built in the ambient light sensor in front of the panel to automatically detect the amount of light in the viewing environment and auto-adjusts the brightness of the screen.

Benefits:

- Avoid eye strained and tired, to provide comfortable viewing
- Power consumption saving
- Extend lamp lifetime



**Day: Higher Ambient Luminance**



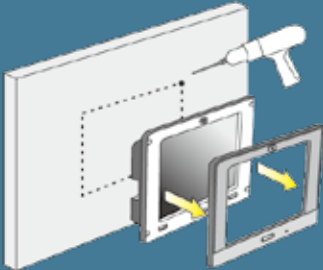
**Night: Lower Ambient Luminance**



# Easy In-wall in Minutes

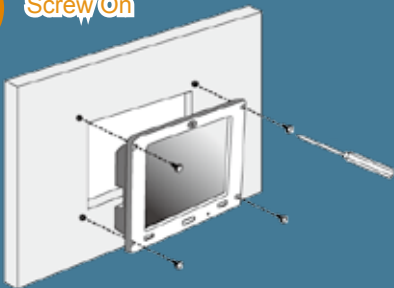
AFL-4xxx series was not only increases flexibility of versatile patterns of the faceplate, but also ease of installation.

## A Cut Out the Panel



Select the position on the panel to mount the flat panel PC. Cut out a section from the panel that corresponds to the rear panel dimensions.

## B Screw On

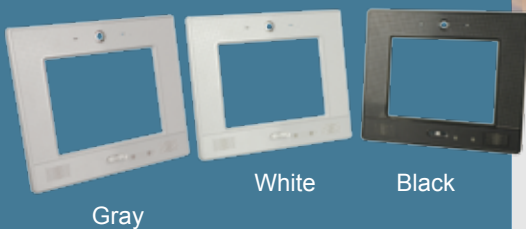


Tighten the screws that pass through the panel mounting holes until the screws are firmly secured to the panel.

## C Put on the Faceplate

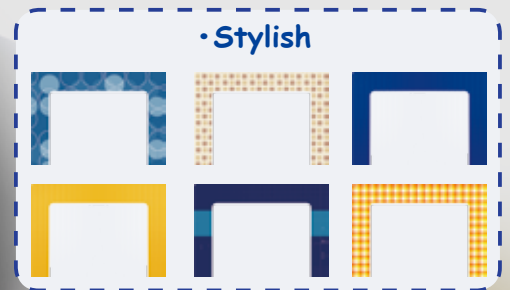


Changeable Faceplate in Gray/  
White/Black Color



## Versatile Faceplate Sticker Skin Patterns Enhance your Design Style!

## D Changeable faceplate sticker skin (Customize by order)



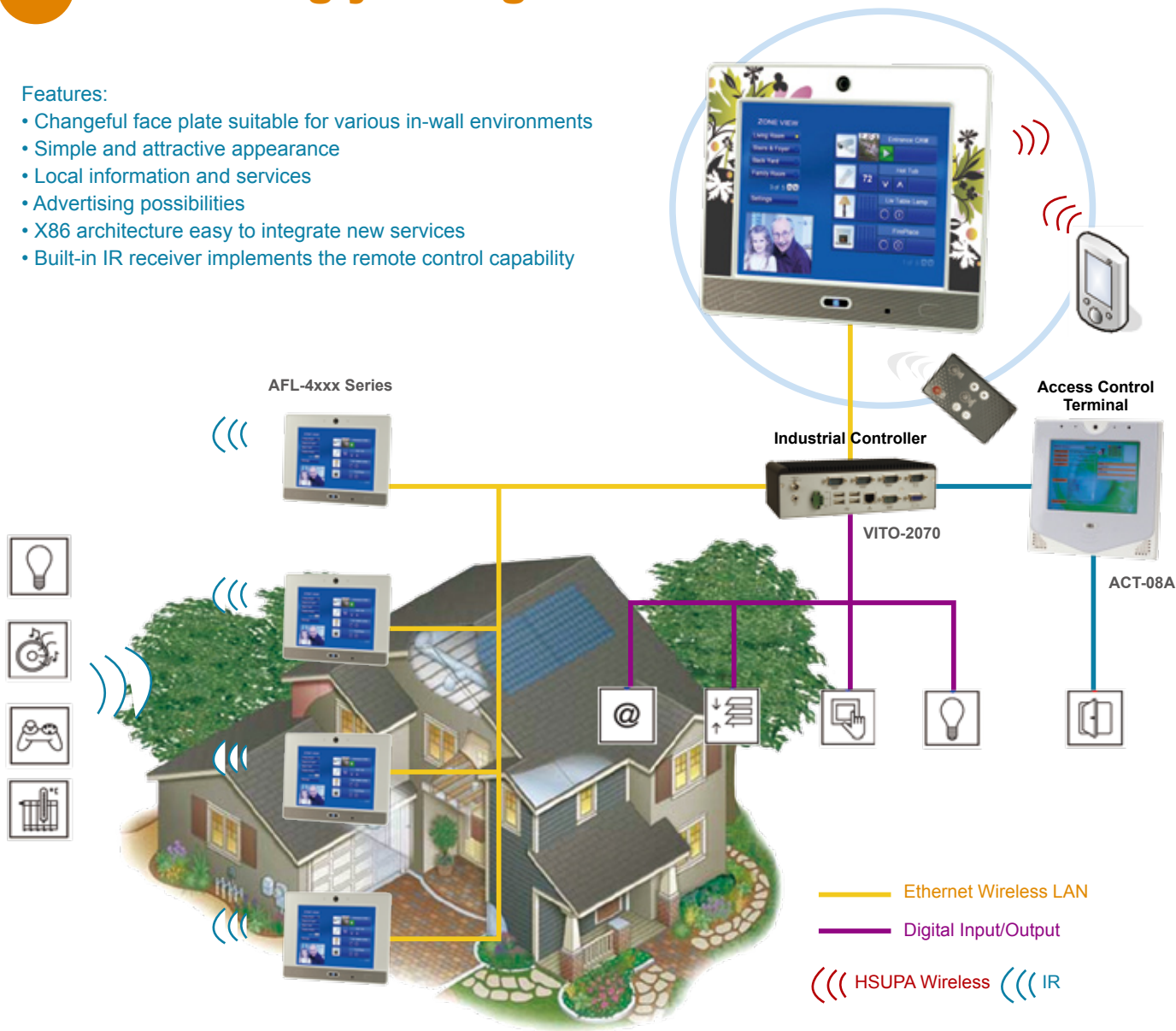
# What are we going after ?

## Various Applications


### A Controlling your digital home !

Features:

- Changeful face plate suitable for various in-wall environments
- Simple and attractive appearance
- Local information and services
- Advertising possibilities
- X86 architecture easy to integrate new services
- Built-in IR receiver implements the remote control capability




### Designing a Home Automation System




**Audio Control**

Telephone announcement and music from the room can follow you down the hall and into the kitchen over the audio speakers.




**Lighting Control**

Lighting set by schedule, time of day.



**Security**

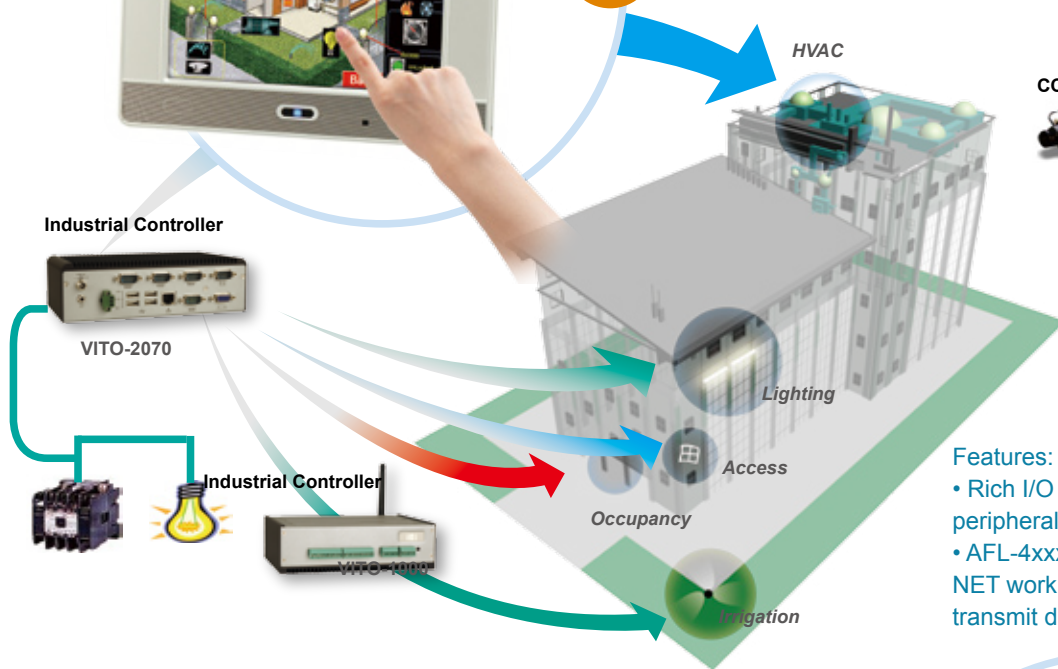
- Control the lighting, in the event of alarm or fire happens
- View and record surveillance video



**Energy Management**

- Unused lights turn off when leaving the home.
- Settings restore automatically when returning home, saving energy.

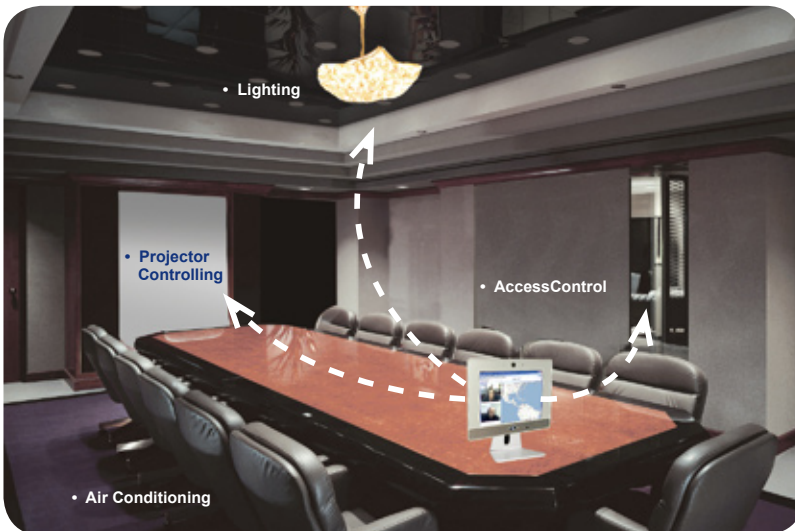
## B Building Automation



- Features:
- Rich I/O interface are reserved for easy peripheral integration in any location.
  - AFL-4xxx series are ensured uninterrupted NET working connection in the building, specially transmit data and information in real time.

## C Conferencing

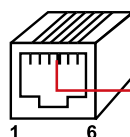
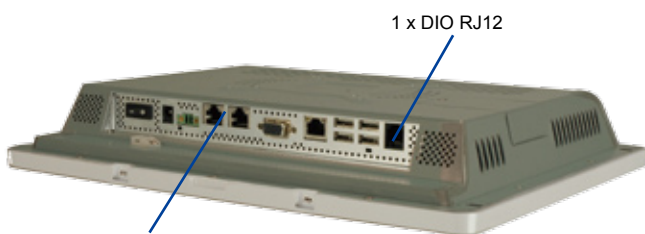
- Features:
- Integrated video and audio hardware ready and wireless connection easy to do video conferencing communications.



- Equipped with a digital I/O RJ-12 with to remotely control the device on and off.

• RJ-12 Digital IO Control Diagram

|                         |     |                                |
|-------------------------|-----|--------------------------------|
| Super IO                |     |                                |
| GPI<br>( Get Status )   | ↑ ↓ | GPO Action<br>( Open / Close ) |
| Control Block           |     |                                |
| Low Level<br>High Level | ↑ ↓ | Low Level<br>High Level        |



| Pin | Assignment               |
|-----|--------------------------|
| 1   | Ground                   |
| 2   | Digital Out Programmable |
| 3   | Digital In               |
| 4   | +12 V                    |
| 5   | NC                       |
| 6   | Ground                   |

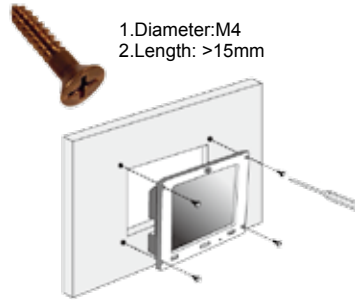
1 x RJ45 for RS-232  
1 x RJ45 for RS-232/422/485

# IEI Quick Mounting Technology

## • In-wall Mounting



### Self-drilling screws



## • Wall Mount



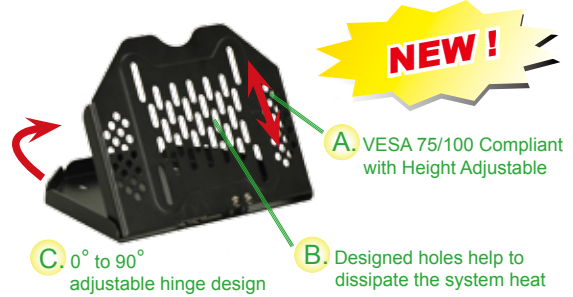
## • Desktop Stand



### Easy Stand



## • V-Stand



### Features:

- 0° to 90° adjustable hinge design allows comfortable viewing
- Standard VESA 75/100 Compliance
- Heat dissipation holes designed
- Compact size easy to use and mount anywhere

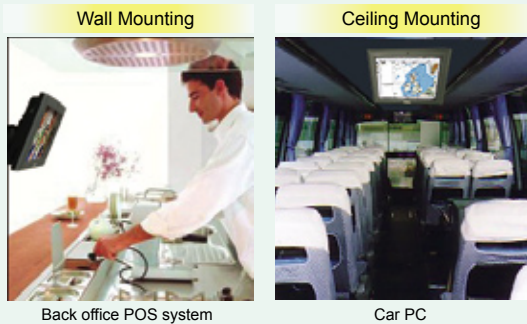
### Comfortable Stand



## The Benefits

### A. One fits all solution

V-Stand is designed around compact and tilt adjustable. Providing mobility and ergonomic comfort fits common wall mounting and ceiling mounting situations.



### B. 0° to 90° Excellent adjustability

you can change the angle of the stand from 0° to 90° to reach almost any point with ergonomic features for comfortable viewing.



**No Hinge Limitation!**

### C. Space saving and easy to install



1: Tighten the screws in the rear of the AFOLUX PPC VESA mounting holes



2: Select the position to mount stand kit



3: Plug in the system to operate

Compact size provides mobility



# AFL-408A-ATOM

## 8.4" SVGA Fanless In-Wall Panel PC

# AFL-408B-ATOM

## 8.0" SVGA Fanless In-Wall Panel PC

# AFL-W410A-ATOM

## Wide 10.2" SVGA Fanless In-Wall Panel PC



### Features

1. 8" ~ 15" TFT LCD with resistive touch screen.
2. Fanless system with Intel® Atom™ process N270 1.6GHz CPU
3. Changeable faceplate and sticker skin
4. In-wall mechanism design allows easy to installation in minutes
5. Digital I/O RJ-12 port that provides extension for peripherals such as a cash drawer device, lamp, alarms etc.
6. Build-in CMOS camera with digital microphone and two 1.5W speakers for multimedia applications
7. Enabling easier access to the internet through a HSUPA network (Optional)
8. Built-in bluetooth technology rids systems of cables and allows wireless connection to peripheral devices like head phones, keyboard and mouse
9. VESA-mountable for flexibility in mounting and deployment
10. Ambient light sensor detects ambient light for automated screen adjustments to optimize viewing.

### Specifications

| Model                                 | AFL-408A-ATOM-R11  | AFL-408B-ATOM-R11   | AFL-W410A-ATOM-R11  |   |   |
|---------------------------------------|--|---|---|---|---|
| Display                               | LCD Size   | 8.4"  | 8.0"  | 10.2"   |   |
|                                       | Max Resolution   | 800 x 600   | 800 x 600   | 1024 x 600  |   |
|                                       | Brightness (cd/m <sup>2</sup> )  | 400   | 300   | 400   |   |
|                                       | Contrast Ratio   | 400 : 1   | 400 : 1   | 400 : 1   |   |
|                                       | LCD Color  | 262K  | 262K  | 262K  |   |
|                                       | Pixel Pitch (mm)   | 0.213(H) x 0.213(V)   | 0.0675(H) x 0.2025(V)                                       | 0.2175(H) x 0.2175(V)                                   |   |
|                                       | Viewing Angle (H-V)  | 120° /100°  | 130° /120°  | 140° /110°  |   |
|                                       | Backlight MTBF (hrs)   | 50000   | 30000   | 40000   |   |
| Motherboard                           | CPU  | Intel® Atom™ process N270 1.6GHz CPU                              |   |   |   |
|                                       | Chipset  | Intel® 945GSE + ICH7M   |   |   |   |
|                                       | RAM  | Supports one 200-pin 2GB (Maximum) 400MHz or 533MHz DDRII SO-DIMM |   |   |   |
| I/O Ports                             | 1 x RJ-45 for RS232 COM Port<br>1 x RJ-45 for RS-232/422/485 COM port<br>1 x RJ-45 for Giga LAN<br>5 x USB 2.0 (4 in the rear, 1 in front panel)<br>2 x Power Switch (Inside Fornt Panel & Rear cover)<br>1 x Reset Button<br>1 x RJ12 for Digital Input / Output<br>1 x Terminal Block for 10~28VDC Input<br>1 x VGA Port |   |   |   |   |
|                                       | Drive Bay  | HDD Drive Bay   | N/A   |   |   |
|                                       |  | SSD   | CF Typell   |   |   |
|                                       | Other Features   | HSUPA Mobile Solution (Optional)                                  | N/A   | N/A   | 1 x HSUPA Mobile Module (USB Interface) |
|                                       |  | Watchdog Timer  | Software programmable supports 1~255 sec. System reset      |   |   |
|                                       |  | Audio   | AMP 1.5W + 1.5W   |   |   |
|                                       |  | Extension   | Wireless Lan Module (PCIe Mini Card, 802.11 b/g LAN Module) |   |   |
| Bluetooth Module (USB Interface V2.0) |  |   | N/A   | N/A   |   |
| Webcam & Mic Function                 | N/A  |   | N/A   |   |   |
| LED Function                          | 1 x Remote Controller ( LCD On/Off; System Power On/Off; Volume; Brightness)   |   |   |   |   |
| Physical                              | Construction Material  | ABS + PC Plastic front frame                                      |   |   |   |
|                                       | Mounting   | Panel, Wall, VESA 75mm x 75mm/ 100mm x 100mm                      |   |   |   |
|                                       | Front Panel Color  | Black/ White/ Gray  |   |   |   |
|                                       | Net Weight   | 0.8Kg   | 0.8Kg   | 1.5Kg   |   |
| Environment                           | Dimension (WxHxD) (mm)   | 263.2 x 221.2 x 54.4  | 263.2 x 221.2 x 54.4  | 313.83 x 222.13 x 52.5                                  |   |
|                                       | Operation Temperature (°C)   | 0°C ~50°C   | 0°C ~50°C   | 0°C ~50°C   |   |
|                                       | Storage Temperature (°C)   | -20°C ~60°C   | -20°C ~60°C   | -20°C ~60°C   |   |
|                                       | IP Level   | IP64  | IP64  | IP64  |   |
| Touch Screen                          | EMC  | CE, FCC, CCC  | CE, FCC, CCC  | CE, FCC, CCC  |   |
|                                       | Safety   | CB  | CB  | CB  |   |
|                                       | Touch Screen   | Resistive Type 4-Wire (Touch controller IC is on board)           | Resistive Type 4-Wire (Touch controller IC is on board)     | Resistive Type 5-Wire (Touch controller IC is on board) |   |
| Power Adapter                         | P/N: 63000-FSP0401ADF03A822-RS   |   |   |   |   |
|                                       | Power: 40W<br>Input: 90VAC~264VAC, 50/60Hz<br>Output: 12VDC  |   |   |   |   |
| Power Requirement                     | 10 ~ 28V DC-IN   | 10 ~ 28V DC-IN  | 10 ~ 28V DC-IN  |   |   |
| Power Consumption                     | 25W  | 25W   | 28W   |   |   |

# AFL-412A-ATOM

**12.1" XGA Fanless In-Wall Panel PC**

# AFL-415A-ATOM

**15" XGA Fanless In-Wall Panel PC**

# AFL-415AE-ATOM

**15" XGA Economical Fanless In-Wall Panel PC**

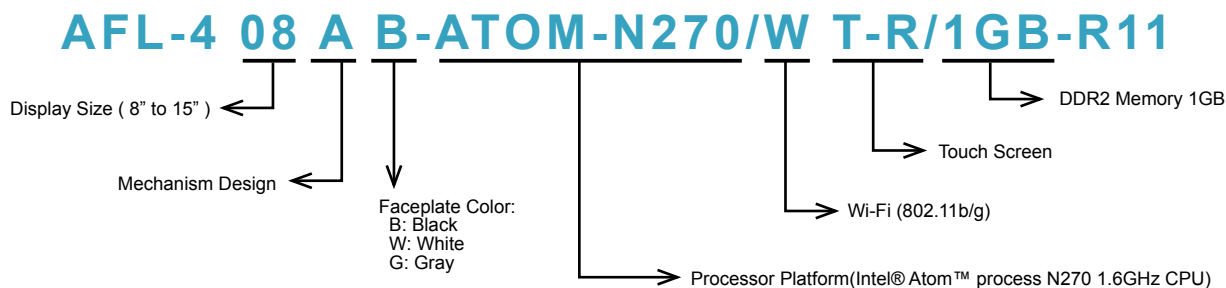


## Specifications

| Model             | AFL-412A-ATOM-R11  | AFL-415A-ATOM-R11  | AFL-415AE-ATOM-R11  |                     |           |
|-------------------|--|--|---|---------------------|-----------|
| Display           | LCD Size   | 12.1"  | 15"   | 15"                 |           |
|                   | Max Resolution   | 1024 x 768   | 1024 x 768  | 1024 x 768          |           |
|                   | Brightness (cd/m <sup>2</sup> )  | 400  | 350   | 250                 |           |
|                   | Contrast Ratio   | 500 : 1  | 700 : 1   | 600 : 1             |           |
|                   | LCD Color  | 262K   | 262K  | 262K                |           |
|                   | Pixel Pitch (mm)   | 0.240(H) x 0.240(V)  | 0.297(H) x 0.297(V)   | 0.297(H) x 0.297(V) |           |
|                   | Viewing Angle (H-V)  | 120° /100°   | 140° /125°  | 160° /160°          |           |
|                   | Backlight MTBF (hrs)   | 50000  | 50000   | 50000               |           |
| Motherboard       | CPU  | Intel® Atom™ process N270 1.6GHz CPU                                       |   |                     |           |
|                   | Chipset  | Intel® 945GSE + ICH7M  |   |                     |           |
|                   | RAM  | Supports one 200-pin 2GB (Maximum) 400MHz or 533MHz DDRII SO-DIMM          |   |                     |           |
| I/O Ports         | 1 x RJ-45 for RS232 COM Port<br>1 x RJ-45 for RS-232/422/485 COM port<br>1 x RJ-45 for Giga LAN<br>5 x USB 2.0 (4 in the rear, 1 in front panel)<br>2 x Power Switch (Inside Front Panel & Rear cover)<br>1 x Reset Button<br>1 x RJ12 for Digital Input / Output<br>1 x Terminal Block for 10~28VDC Input<br>1 x VGA Port |  |   |                     |           |
|                   | Drive Bay  | HDD Drive Bay  | 1 x 2.5" SATA HDD bay or Option HSUPA Module  |                     |           |
|                   |  | SSD  | CF Typell   |                     |           |
|                   | Other Features   | HSUPA Mobile Solution (Optional)   | 1 x HSUPA Mobile Module (USB Interface)   |                     |           |
|                   |  | Watchdog Timer   | Software programmable supports 1~255 sec. System reset  |                     |           |
|                   |  | Audio  | AMP 1.5W+1.5W   | AMP 2W+2W           | AMP 2W+2W |
|                   |  | Extension  | 1 x Wireless Lan Module (PCIe Mini Card, 802.11 b/g LAN Module)<br>1 x Bluetooth Module (USB Interface V2.0)<br>1 x Webcam & Mic Function |                     |           |
| Physical          | LED Function   | 1 x Power ON/OFF LED on Front Panel  |   |                     |           |
|                   | Construction Material  | ABS + PC Plastic front frame   |   |                     |           |
|                   | Mounting   | Panel, Wall, VESA 75mm x 75mm / 100mm x 100mm                              |   |                     |           |
|                   | Front Panel Color  | Black/ White/ Gray   |   |                     |           |
|                   | Net Weight   | 1.8Kg  | 2.8Kg   | TBD                 |           |
| Environment       | Dimension (WxHxD) (mm)   | 339 x 276 x 51.6   | 385.7 x 330.7 x 55.5  | TBD                 |           |
|                   | Operation Temperature (°C)   | 0°C ~40°C with HDD<br>0°C ~50°C with CF Card or SATA interface 2.5"SSD HDD |   |                     |           |
|                   | Storage Temperature (°C)   | -20°C ~60°C  |   |                     |           |
|                   | IP Level   | IP64   |   |                     |           |
|                   | EMC  | CE, FCC, CCC   |   |                     |           |
| Touch Screen      | Safety   | CB   |   |                     |           |
|                   | Resistive Type 5-Wire (Touch controller IC is on board)  |  |   |                     |           |
| Power Adapter     | P/N: 63000-FSP0481AD101C-RS  | P/N: 63000-FSP0601AD101C-746RS   |   |                     |           |
|                   | Power: 48W   | Power: 60W   |   |                     |           |
|                   | Input: 90VAC~264VAC, 50/60Hz   | Input: 90VAC~264VAC, 50/60Hz   |   |                     |           |
| Power Requirement | Output: 12VDC  | Output: 12VDC  |   |                     |           |
|                   | 10 ~ 28V DC-IN   | 10 ~ 28V DC-IN   |   |                     |           |
| Power Consumption | 32W  | 49W  | 49W   |                     |           |

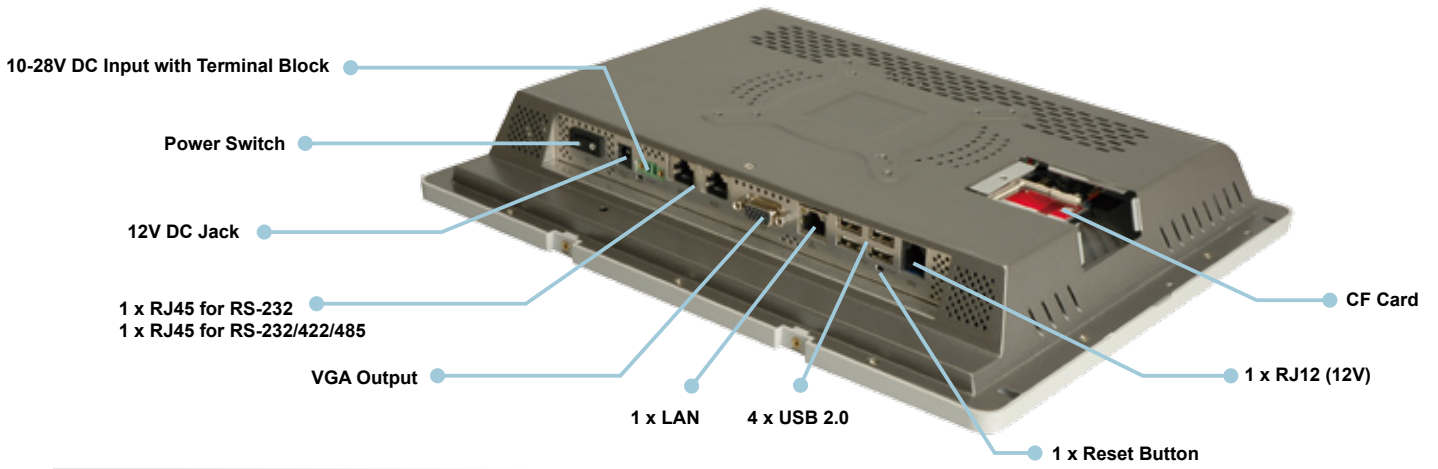


## AFL-4xxx In-wall PPC Product Line Naming Rule



## Ordering Information

| Model | Description  |
|-------|--|
| 8"    | <b>AFL-408BB-ATOM-N270/WT-R/1GB-R11</b><br>8.0" 300 cd/m <sup>2</sup> , 800x600 fanless In-Wall panel PC with Intel® Atom™ N270 1.6G CPU, 1GB DDR2 RAM, AT/ATX mode, 802.11b/g Wireless, Touch screen and 10-28VDC Wide Range, Black color, R11, RoHS  |
|       | <b>AFL-408BW-ATOM-N270/WT-R/1GB-R11</b><br>8.0" 300 cd/m <sup>2</sup> , 800x600 fanless In-Wall panel PC with Intel® Atom™ N270 1.6G CPU, 1GB DDR2 RAM, AT/ATX mode, 802.11b/g Wireless, Touch screen and 10-28VDC Wide Range, White Color, R11, RoHS  |
|       | <b>AFL-408BG-ATOM-N270/WT-R/1GB-R11</b><br>8.0" 300 cd/m <sup>2</sup> , 800x600 fanless In-Wall panel PC with Intel® Atom™ N270 1.6G CPU, 1GB DDR2 RAM, AT/ATX mode, 802.11b/g Wireless, Touch screen and 10-28VDC Wide Range, Gray Color, R11, RoHS   |
| 8.4"  | <b>AFL-408AB-ATOM-N270/WT-R/1GB-R11</b><br>8.4" 400 cd/m <sup>2</sup> , 800x600 fanless In-Wall panel PC with Intel® Atom™ N270 1.6G CPU, 1GB DDR2 RAM, AT/ATX mode, 802.11b/g Wireless, Bluetooth, 300K Pixel Camera W/Microphone, Touch screen and 10-28VDC Wide Range, Black color, R11, RoHS   |
|       | <b>AFL-408AW-ATOM-N270/WT-R/1GB-R11</b><br>8.4" 400 cd/m <sup>2</sup> , 800x600 fanless In-Wall panel PC with Intel® Atom™ N270 1.6G CPU, 1GB DDR2 RAM, AT/ATX mode, 802.11b/g Wireless, Bluetooth, 300K Pixel Camera W/Microphone, Touch screen and 10-28VDC Wide Range, White Color, R11, RoHS   |
|       | <b>AFL-408AG-ATOM-N270/WT-R/1GB-R11</b><br>8.4" 400 cd/m <sup>2</sup> , 800x600 fanless In-Wall panel PC with Intel® Atom™ N270 1.6G CPU, 1GB DDR2 RAM, AT/ATX mode, 802.11b/g Wireless, Bluetooth, 300K Pixel Camera W/Microphone, Touch screen and 10-28VDC Wide Range, Gray Color, R11, RoHS    |
| 10.2" | <b>AFL-W410AB-ATOM-N270/WT-R/1GB-R11</b><br>10.2" 400 cd/m <sup>2</sup> , 1024x600 fanless In-Wall panel PC with Intel® Atom™ N270 1.6G CPU, 1GB DDR2 RAM, AT/ATX mode, 802.11b/g Wireless, Touch screen and 10-28VDC Wide Range, Black color, R11, RoHS   |
|       | <b>AFL-W410AW-ATOM-N270/WT-R/1GB-R11</b><br>10.2" 400 cd/m <sup>2</sup> , 1024x600 fanless In-Wall panel PC with Intel® Atom™ N270 1.6G CPU, 1GB DDR2 RAM, AT/ATX mode, 802.11b/g Wireless, Touch screen and 10-28VDC Wide Range, White Color, R11, RoHS   |
|       | <b>AFL-W410AG-ATOM-N270/WT-R/1GB-R11</b><br>10.2" 400 cd/m <sup>2</sup> , 1024x600 fanless In-Wall panel PC with Intel® Atom™ N270 1.6G CPU, 1GB DDR2 RAM, AT/ATX mode, 802.11b/g Wireless, Touch screen and 10-28VDC Wide Range, Gray Color, R11, RoHS  |
| 12.1" | <b>AFL-412AB-ATOM-N270/WT-R/1GB-R11</b><br>12.1" 400 cd/m <sup>2</sup> , 1024x768 fanless In-Wall panel PC with Intel® Atom™ N270 1.6G CPU, 1GB DDR2 RAM, AT/ATX mode, 802.11b/g Wireless, Bluetooth, 300K Pixel Camera W/Microphone, Touch screen and 10-28VDC Wide Range, Black color, R11, RoHS |
|       | <b>AFL-412AW-ATOM-N270/WT-R/1GB-R11</b><br>12.1" 400 cd/m <sup>2</sup> , 1024x768 fanless In-Wall panel PC with Intel® Atom™ N270 1.6G CPU, 1GB DDR2 RAM, AT/ATX mode, 802.11b/g Wireless, Bluetooth, 300K Pixel Camera W/Microphone, Touch screen and 10-28VDC Wide Range, White color, R11, RoHS |
|       | <b>AFL-412AG-ATOM-N270/WT-R/1GB-R11</b><br>12.1" 400 cd/m <sup>2</sup> , 1024x768 fanless In-Wall panel PC with Intel® Atom™ N270 1.6G CPU, 1GB DDR2 RAM, AT/ATX mode, 802.11b/g Wireless, Bluetooth, 300K Pixel Camera W/Microphone, Touch screen and 10-28VDC Wide Range, Gray color, R11, RoHS  |
| 15"   | <b>AFL-415AB-ATOM-N270/WT-R/1GB-R11</b><br>15" 350 cd/m <sup>2</sup> , 1024x768 fanless In-Wall panel PC with Intel® Atom™ N270 1.6G CPU, 1GB DDR2 RAM, AT/ATX mode, 802.11b/g Wireless, Bluetooth, 300K Pixel Camera W/Microphone, Touch screen and 10-28VDC Wide Range, Black color, R11, RoHS   |
|       | <b>AFL-415AW-ATOM-N270/WT-R/1GB-R11</b><br>15" 350 cd/m <sup>2</sup> , 1024x768 fanless In-Wall panel PC with Intel® Atom™ N270 1.6G CPU, 1GB DDR2 RAM, AT/ATX mode, 802.11b/g Wireless, Bluetooth, 300K Pixel Camera W/Microphone, Touch screen and 10-28VDC Wide Range, White color, R11, RoHS   |
|       | <b>AFL-415AG-ATOM-N270/WT-R/1GB-R11</b><br>15" 350 cd/m <sup>2</sup> , 1024x768 fanless In-Wall panel PC with Intel® Atom™ N270 1.6G CPU, 1GB DDR2 RAM, AT/ATX mode, 802.11b/g Wireless, Bluetooth, 300K Pixel Camera W/Microphone, Touch screen and 10-28VDC Wide Range, Gray color, R11, RoHS    |
| 15"   | <b>AFL-415AEB-ATOM-N270/WT-R/1GB-R11</b><br>15" 250 cd/m <sup>2</sup> , 1024x768 fanless In-Wall panel PC with Intel® Atom™ N270 1.6G CPU, 1GB DDR2 RAM, AT/ATX mode, 802.11b/g Wireless, Bluetooth, 300K Pixel Camera W/Microphone, Touch screen and 10-28VDC Wide Range, Black color, R11, RoHS  |
|       | <b>AFL-415AEW-ATOM-N270/WT-R/1GB-R11</b><br>15" 250 cd/m <sup>2</sup> , 1024x768 fanless In-Wall panel PC with Intel® Atom™ N270 1.6G CPU, 1GB DDR2 RAM, AT/ATX mode, 802.11b/g Wireless, Bluetooth, 300K Pixel Camera W/Microphone, Touch screen and 10-28VDC Wide Range, White color, R11, RoHS  |
|       | <b>AFL-415AEG-ATOM-N270/WT-R/1GB-R11</b><br>15" 250 cd/m <sup>2</sup> , 1024x768 fanless In-Wall panel PC with Intel® Atom™ N270 1.6G CPU, 1GB DDR2 RAM, AT/ATX mode, 802.11b/g Wireless, Bluetooth, 300K Pixel Camera W/Microphone, Touch screen and 10-28VDC Wide Range, Gray color, R11, RoHS   |



## ISMM Support Functions

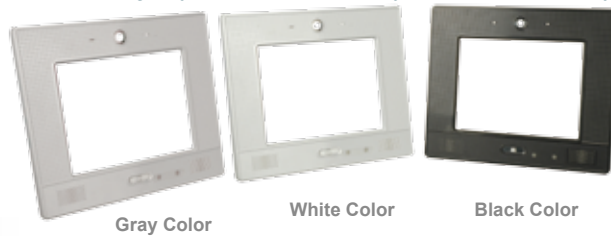
|                | Voltage | Fan | Smart Fan | Temperature | DIO | WDT | Beep | Cash Drawer |
|----------------|---------|-----|-----------|-------------|-----|-----|------|-------------|
| AFL-408A-ATOM  | √       |     |           | √           | √   | √   | √    | √           |
| AFL-W410A-ATOM | √       |     |           | √           | √   | √   | √    | √           |
| AFL-412A-ATOM  | √       |     |           | √           | √   | √   | √    | √           |
| AFL-415A-ATOM  | √       |     |           | √           | √   | √   | √    | √           |

## Options

| Model                             | AFL-408A-ATOM                           | AFL-408B-ATOM          | AFL-W410A-ATOM                          | AFL-412A-ATOM           | AFL-415A-ATOM  | AFL-415AE-ATOM         |
|-----------------------------------|---|------------------------|---|-------------------------|--|------------------------|
| Wall mounting kit                 | AFLWK-12                                |                        |   |                         | AFLWK-19   |                        |
| ARM                               | ARM-11-RS / ARM-31-RS                   |                        |   |                         |  |                        |
| Stand                             | STAND-A08 / STAND-100-RS / STAND-150-RS |                        | STAND-A12 / STAND-100-RS / STAND-150-RS |                         | STAND-A19, STAND-B19, STAND-210-RS<br>STAND-A19, STAND-B19, STAND-210-RS |                        |
| VSTAND                            | VSTAND-A10                              |                        |   | VSTAND-A12              |  | N/A                    |
| 9~30VDC to 12VDC converter module | IDD-930160-KIT                          |                        |   |                         | N/A  |                        |
| OS                                | OS: Win CE 5.0                          | AFLCF-408-ATOM-CE      | AFLCF-408-ATOM-CE                       | AFLCF-W410-ATOM-CE      | AFLCF-412-ATOM-CE  | AFLCF-415-ATOM-CE      |
|                                   | OS: Win CE 6.0                          | AFLCF-408-ATOM-CE060   | AFLCF-408-ATOM-CE060                    | AFLCF-W410-ATOM-CE060   | AFLCF-412-ATOM-CE060   | AFLCF-415-ATOM-CE060   |
|                                   | OS: Win XPE                             | AFLCF-408-ATOM-XPE     | AFLCF-408-ATOM-XPE                      | AFLCF-W410-ATOM-XPE     | AFLCF-412-ATOM-XPE   | AFLCF-415-ATOM-XPE     |
|                                   | OS: Linux                               | AFLCF-408-ATOM-LNX-R10 | AFLCF-408-ATOM-LNX-R10                  | AFLCF-W410-ATOM-LNX-R10 | AFLCF-412-ATOM-LNX-R10   | AFLCF-415-ATOM-LNX-R10 |
| DC 12V Input UPS                  | AUPS-A10-R10                            |                        |   |                         | AUPS-B10-R10   |                        |
| DC 9~36V Input UPS                | AUPS-A20-R10                            |                        |   |                         | AUPS-B20-R10   |                        |
| Faceplate (Black Color)           | AFLFP-408A-B-R10                        | AFLFP-408B-B-R10       | AFLFP-W410A-B-R10                       | AFLFP-412A-B-R10        | AFLFP-415A-B-R10   | AFLFP-415AE-B-R10      |
| Faceplate (White Color)           | AFLFP-408A-W-R10                        | AFLFP-408B-W-R10       | AFLFP-W410A-W-R10                       | AFLFP-412A-W-R10        | AFLFP-415A-W-R10   | AFLFP-415AE-W-R10      |
| Faceplate (Gray Color)            | AFLFP-408A-G-R10                        | AFLFP-408B-G-R10       | AFLFP-W410A-G-R10                       | AFLFP-412A-G-R10        | AFLFP-415A-G-R10   | AFLFP-415AE-G-R10      |
| In-Wall Cage (Options)            | AFLIWC-408-R10                          | AFLIWC-408-R10         | AFLIWC-W410-R10                         | AFLIWC-412-R10          | AFLIWC-415-R10   | AFLIWC-415-R10         |

Note: Win CE application without digital microphone function

### Removable Faceplate: AFLFP-4xxx-G-R10    AFLFP-4xxx-W-R10    AFLFP-4xxx-B-R10

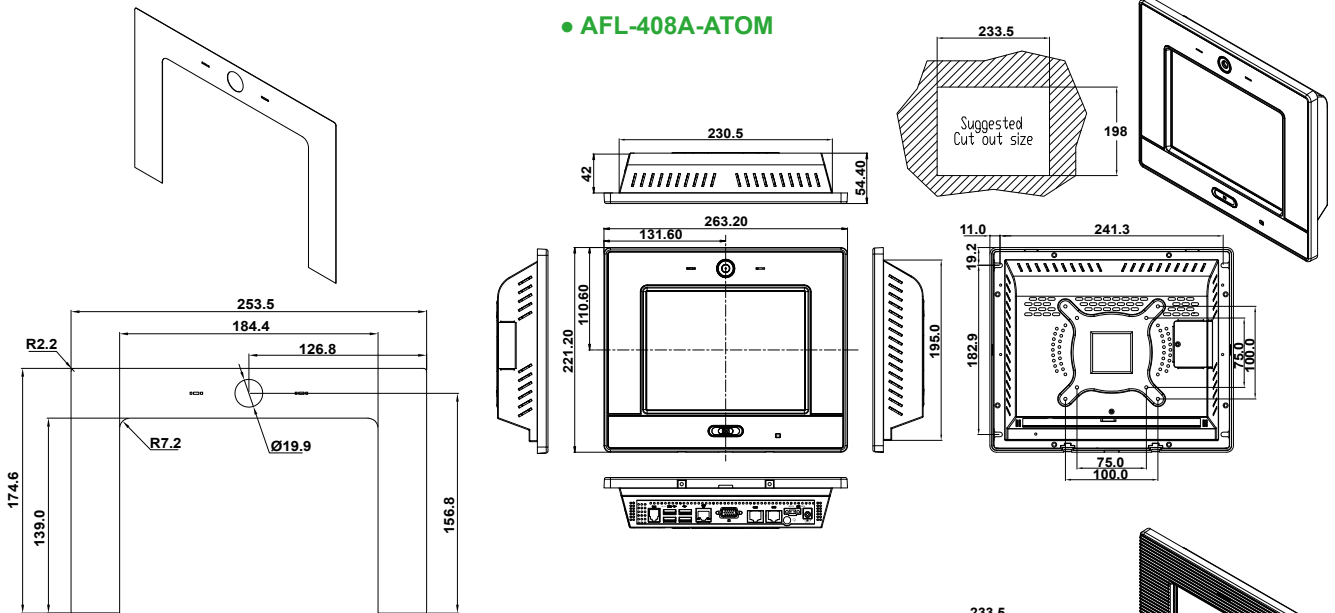


## Packing List

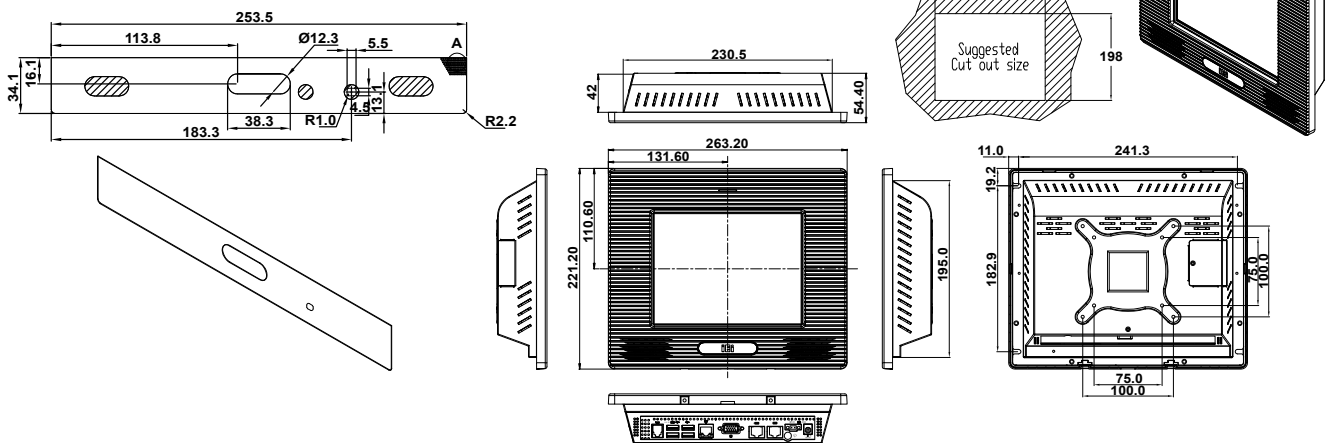
| Item                 | P/N                    | Q'ty | Specifications            |
|----------------------|------------------------|------|---------------------------|
| Screws               | 44233-030081-RS        | 4    | M3; φ8mm                  |
| Power Adapter        | 63000-FSP0481AD101C-RS | 1    | 90 ~ 264V<br>12v; 48W     |
| Power Cable          | 32000-000002-RS        | 1    | 1750mm, European Standard |
| User's Manual CD ROM | 7B000-000087-RS        | 1    |                           |
| Touch Pen            | XTR104-0002-RS         | 1    |                           |

# Dimensions

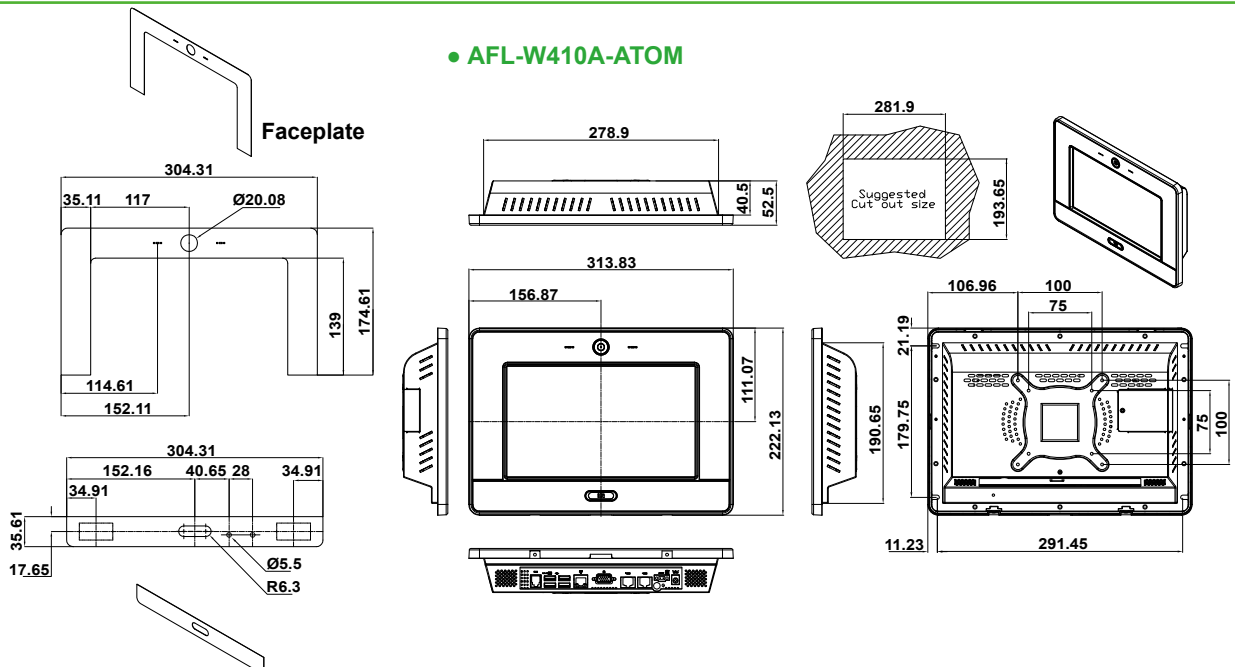
## • AFL-408A-ATOM



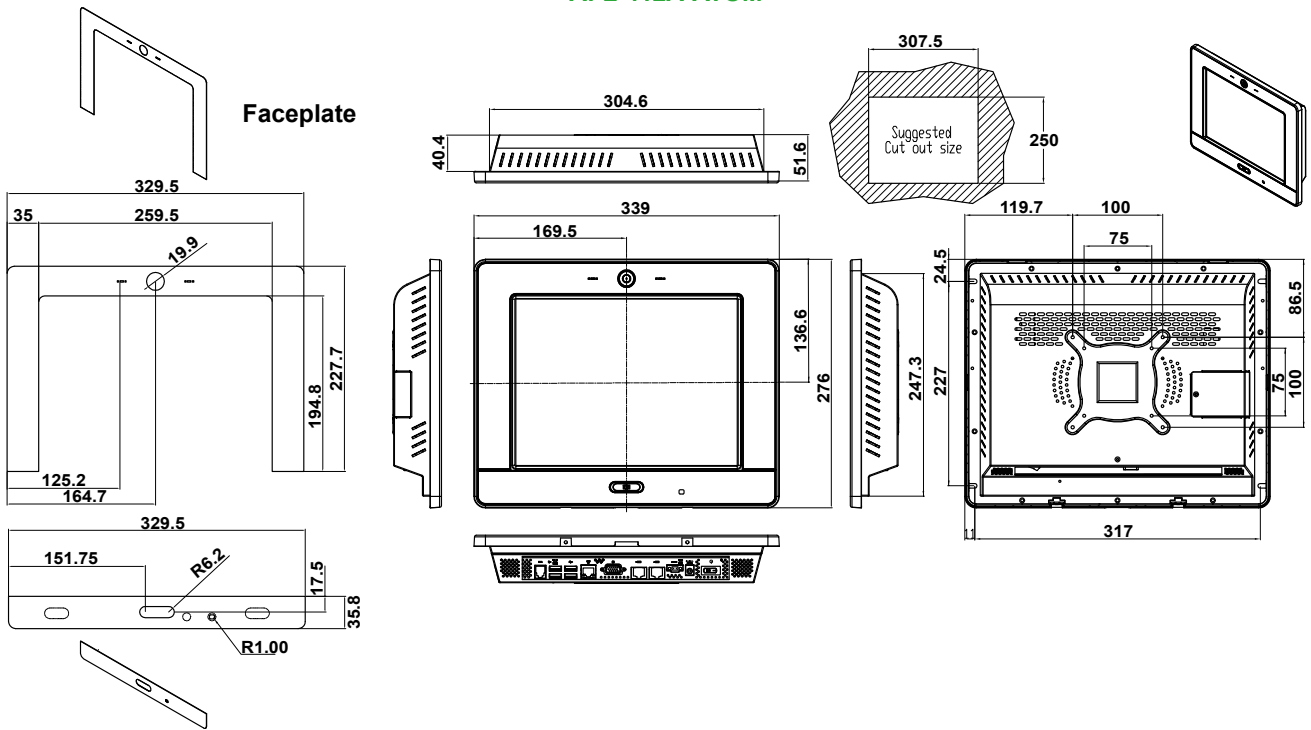
## • AFL-408B-ATOM



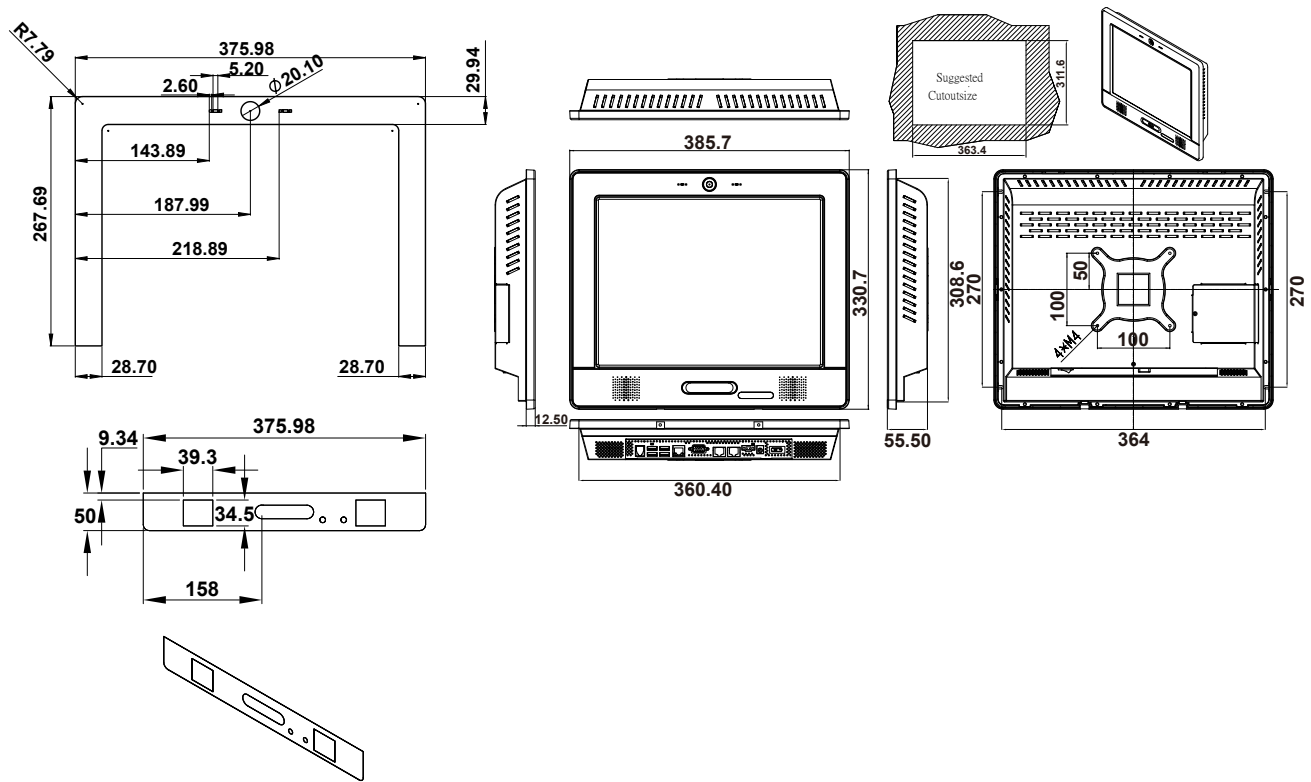
## • AFL-W410A-ATOM



• AFL-412A-ATOM



• AFL-415A-ATOM/AFL-415AE-ATOM





**Headquarters**

威強工業電腦股份有限公司 IEI Technology Corp.  
No. 29, Jhongsing Rd., Sijhih City, Taipei County, 221, Taiwan  
TEL : +886-2-86916798 FAX : +886-2-66160028  
sales@ieiworld.com www.ieiworld.com

**America**

**IEI Technology USA Corp.**

168 University Parkway, Pomona, CA 91768  
TEL : +1-909-595-2819 FAX : +1-909-595-2816  
sales@usa.ieiworld.com www.usa.ieiworld.com

**China**

**威強工業電腦 IEI Technology (Shanghai) Co., Ltd.**

上海市閔行區宜山路1728號3樓。  
3F No. 1728 Yi-Shan Road, Min-Hang, ShangHai, China  
TEL : +86-21-3462-7799 FAX : +86-21-3462-7798,3462-7797  
sales@ieiworld.com.cn www.ieiworld.com.cn