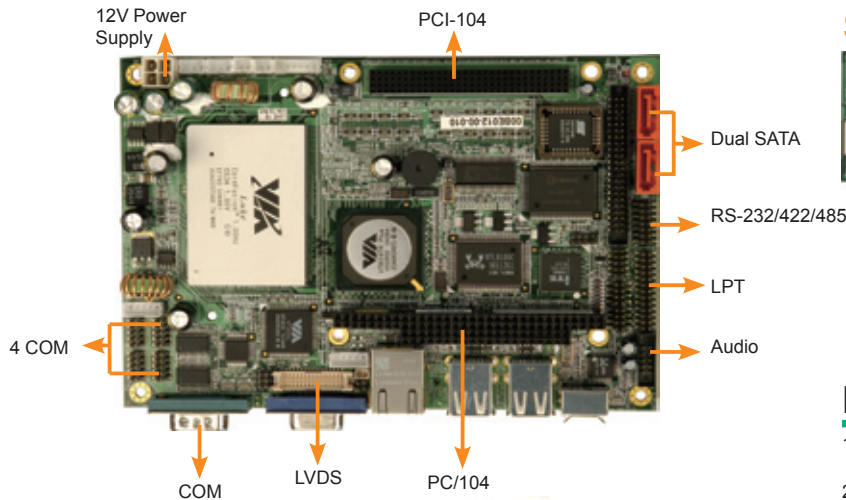
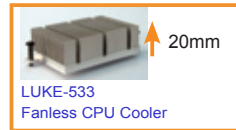
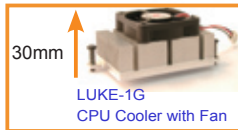
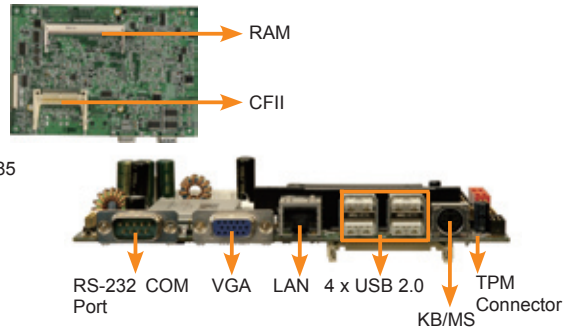


# NANO-LUKE

EPIC Form Factor with VIA® LUKE CPU, GbE, SATA, 5x RS232 and RS232/422/485



## Solder Side



## Feature

1. EPIC form factor, new VIA® LUKE processor embedded board with RoHS compliant
2. DDR400 SO-DIMM SDRAM up to 1GB
3. 36-bit LVDS support flat panel
4. Complete I/O support with 2 x SATA-150, IDE, CFII, PC/104+, GbE and USB2.0

## Specification

- ◆ **CPU**  
VIA® LUKE 1GHz  
VIA® LUKE 533MHz
- ◆ **System Chipset**  
VIA® VT8237R+
- ◆ **BIOS**  
AMI BIOS
- ◆ **System Memory**  
1 x 200-pin SO-DIMM DDR 333/400MHz up to 1GB
- ◆ **Ethernet**  
RTL8110S for GbE
- ◆ **I/O**  
8 x USB 2.0  
2 x SATA-150 with RAID 0,1,10 and JBOD function support  
1 x LPT  
1 x CFII  
5 x RS-232  
1 x RS-232/422/485  
1 x PS/2 for KB/MS  
1 x IDE
- ◆ **Expansion**  
1 x PC/104+ (PCI+ISA BUS)
- ◆ **IrDA**  
By super I/O

- ◆ **Audio**  
Realtek ALC655 with AC'97 codec
- ◆ **Digital I/O**  
8 bit digital I/O, 4 input/ 4 output by super I/O
- ◆ **Super I/O**  
W83697HG
- ◆ **Display**  
CRT integrated in VIA® LUKE  
**LVDS**  
Dual channel 18-bit LVDS supported by VT1631
- ◆ **Watchdog Timer**  
Software programmable supports 1-255 sec. system reset
- ◆ **Power Supply**  
+12V only, AT/ATX support
- ◆ **Power Consumption**  
12V@1.62A  
(VIA® LUKE 1GHz with DDR 333MHz, 512MB RAM)
- ◆ **Temperature**  
Operation: 0 ~ 60° C (32 ~ 140° F)
- ◆ **Humidity**  
Operation: 5% ~ 95%, non-condensing
- ◆ **Dimension**  
115 mm x 165 mm
- ◆ **Weight**  
GW: 1100 g; NW: 350 g



## Packing List

1 x NANO-LUKE Single Board Computer	1 x RS-232 Cable (P/N: 32200-000049-RS)
1 x IDE Flat Cable 44p/44p (P/N: 32200-000009-RS)	1 x Audio Cable (P/N: 32000-072100-RS)
2 x SATA Cable (P/N: 32000-062800-RS)	1 x Mini Jumper Pack
1 x SATA Power Cable (P/N: 32100-088600-RS)	1 x Utility CD
1 x 12V Power Cable (P/N: 32100-087100-RS)	1 x QIG (Quick Installation Guide)
1 x PS2 KB/MS Y- Cable (P/N: 32000-000138-RS)	

## Ordering Information

Part No.	Description
NANO-LUKE-1G-R10	EPIC NANO with VIA® LUKE 1GHz Processor with CPU Cooler, CRT/LVDS Dual Display, GbE and SATA
NANO-LUKE-533-R10	EPIC NANO with VIA® LUKE 533MHz Fanless Processor with Heat Sink, CRT/LVDS Dual Display, GbE and SATA
32200-026500-RS	RS-232/422/485 Cable
32000-070300-RS	USB Cable
32200-015100-RS	LPT Cable
32100-052100-RS	ATX Power Cable