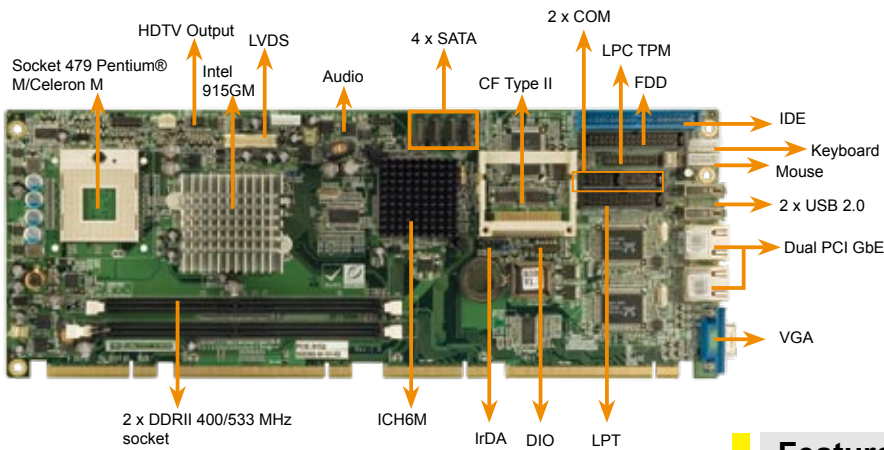


# PCIE-9152

PICMG 1.3 Socket 479 Intel Pentium M, Celeron M CPU Card With VGA, Dual PCI GbE, SATA and USB 2.0



TPM 1.2 Support



## Specifications

- ◆ CPU  
On-board Celeron® M 600MHz 512k cache / 1.0GHz zero cache processor, Socket 479 Intel® Pentium® M Celeron® M (Dothan and Banias Core) with 400/533MHz FSB
- ◆ System Chipset  
Intel® 915GM + ICH6M
- ◆ BIOS  
AMI Flash BIOS
- ◆ System Memory  
2 x 240-pin dual channel DDRII 400/533MHz up to 2GB
- ◆ Ethernet  
Dual Realtek RTL8110SC PCI GbE
- ◆ I/O Interface  
2x RS-232  
1 x LPT  
6 x USB 2.0  
( 0 by Pin header(CPU Board) + 2 by bracket + 4 by Pin header(backplane)  
4 x SATA  
1 x IDE  
1 x FDD  
1 x KB ( by pin header )  
1 x MS ( by pin header )  
1 x 20-pin LPC (TPM V1.2 Module)
- ◆ Digital I/O  
8-bit digital I/O, 4-bit input/ 4-bit output
- ◆ IrDA  
1 x IrDA by pin header
- ◆ Super I/O  
ITE IT8712F
- ◆ Display Interface  
VGA Integrated in Intel 915GM  
Dual 18-bit channels LVDS  
Support HDTV resolution up to 1080i / 1080P by component interface
- ◆ Audio  
5.1 Channel AC'97 Audio Kit with Realtek ALC655 codec  
7.1 Channel HD Audio Kit with Realtek ALC883 support dual audio streams
- ◆ SSD  
CF Type II
- ◆ Watchdog Timer  
Software programmable supports 1 ~255 sec. System reset
- ◆ Power Supply  
ATX Power
- ◆ Power consumption  
5V@1.89A, 12V@1.75A, 3.3V@ 3.64A  
(Intel Pentium M 2.1GHz, 512MB PC4300 CL4)
- ◆ Temperature  
operation: 0°C ~ 60°C ( 32 ~ 140°F)
- ◆ Humidity  
operation: 5% ~95 non-condensing
- ◆ Dimensions  
338 mm x 126 mm
- ◆ Weight  
GW: 1100 g / NW: 373 g

## Features

1. PICMG 1.3 and RoHS RoHS compliant
2. Socket 479 Intel Pentium M, Celeron M processor CPU support up to 400/533 MHz FSB
3. Dual channel DDRII 400/533 MHz support up to 2GB
4. TPM V1.2 hardware security function supported
5. Dual PCI Gigabit Ethernet
6. 4 x SATA , 2 x USB 2.0

## Packing List

1 x PCIE-9152 Single Board Computer
1 x Mini Jumper Pack
1 x ATA 66/100 flat cable (P/N: 32200-000052-RS)
4 x SATA cable (P/N: 32000-0628000-RS)
2 x SATA Power cable (P/N: 32100-088600-RS)
1 x Dual RS-232 cable (P/N: 19800-000051-RS)
1 x KB/MS cable with bracket (P/N: 19800-000066-RS)
1 x Utility CD
1 x QIG

## Ordering Information

Part No.	Description
PCIE-9152-R10	PICMG 1.3 Socket 479 Pentium® M/Celeron® M CPU Card with VGA, Dual PCI GbE, SATA and USB 2.0
PCIE-9152-600-R10	PICMG 1.3 On-board Celeron® M 600MHz 512K Cache Processor with VGA, Dual PCI GbE, SATA and USB 2.0
PCIE-9152-1GZ-R10	PICMG 1.3 On-board Celeron® M 1.0GHz Zero Cache Processor with VGA, Dual PCI GbE, SATA and USB 2.0
AC-KIT-883HD-R10	7.1 Channel HD Audio Kit with Realtek ALC883 support dual audio streams
AC-KIT08R-R10	5.1 Channel AC'97 Audio Kit with Realtek ALC655
SDVO-100VGA-R10	PCIe x16 VGA Output SDVO Card supports dual display (IEI CPU board only)
SDVO-100DVI-R10	PCIe x16 DVI Output SDVO Card supports dual display (IEI CPU board only)
32000-000066-RS	Dual Mini DIN cable with bracket for KB/MS
32200-000017-RS	FDD Cable
19800-000049-RS	LPT Cable
CF-479B-RS	CPU Cooler
TPM-SI01-R10	20-pin SINOSUN TPM Module, S/W Management Tool
TPM-WI01-R10	20-pin WINBOND TPM Module, S/W Management Tool
TPM-IN01-R10	20-pin INFINEON TPM Module, S/W Management Tool

1 Single Board Computer

2 VIDEO CARD

3 Xscale Solutions

4 Open HMI

5 VITO Universal Controller

6 DINO BLADE

7 LCD Product Series

8 Embedded System

9 Industrial Computer Chassis

10 Power Supply

11 Peripherals