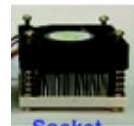
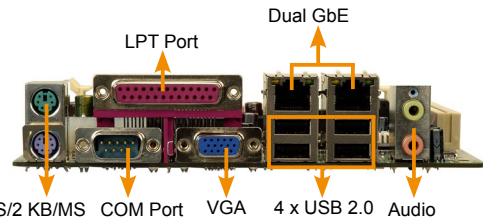
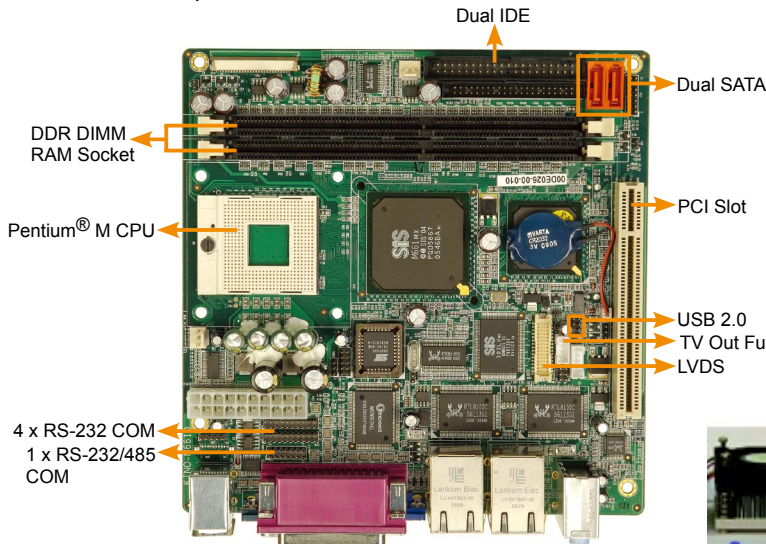


KINO-6612LVDS

Intel® Pentium® M FSB533/400 Mini ITX with LVDS, SATA,
6 x COM, 6 x USB 2.0 and TV Out function support.



Socket



Feature

1. Intel® Pentium® M FSB 533 performance with low thermal
2. Flexibility dual display options
3. Total storage option integration
4. Data security RAID function
5. Green product

Specification

◆ CPU

Intel® Pentium® M/ Celeron® M processor support FSB 533/400MHz, up to 2.26GHz

◆ System Chipset

SiS 661CX + SiS 964

◆ BIOS

AMI BIOS Label

◆ System Memory

2 x 184-pin DDR400/333 SDRAM socket up to 2GB

◆ Ethernet

Dual RealTek RTL8110S GbE

◆ I/O

6 x USB 2.0

2 x SATA-150 connectors

2 x ATA-100 channels

1 x LPT

5 x RS-232, 1 x RS-232/422/485

1 x PS/2 KB/MS

2 x IDE

◆ IrDA

By 1 x 5-pin header

◆ Super I/O

W83697HG

◆ Digital I/O

4 input / 4 output by super I/O

◆ Audio

AC'97 Codec

◆ Display

CRT integrated in SiS 661CX

LVDS (KINO-6612LVDS-R10, KINO-6612LVDS-800Z)

Dual 24-bit LVDS integrated in SiS 302LV support dual display TV-out by SiS 302LV

◆ Watchdog Timer

Software programmable supports 1-255 sec. system reset

◆ Power Supply

ATX power supply

◆ Power Consumption

+5V@2.36A; +12V@0.072A; +3.3V@0.9A

(Pentium® M 2.0GHz CPU with 256MB DDR400 RAM)

◆ Temperature

Operation: 0 ~ 60° C (32 ~ 140° F)

◆ Humidity

Operation: 5% ~ 95% non-condensing

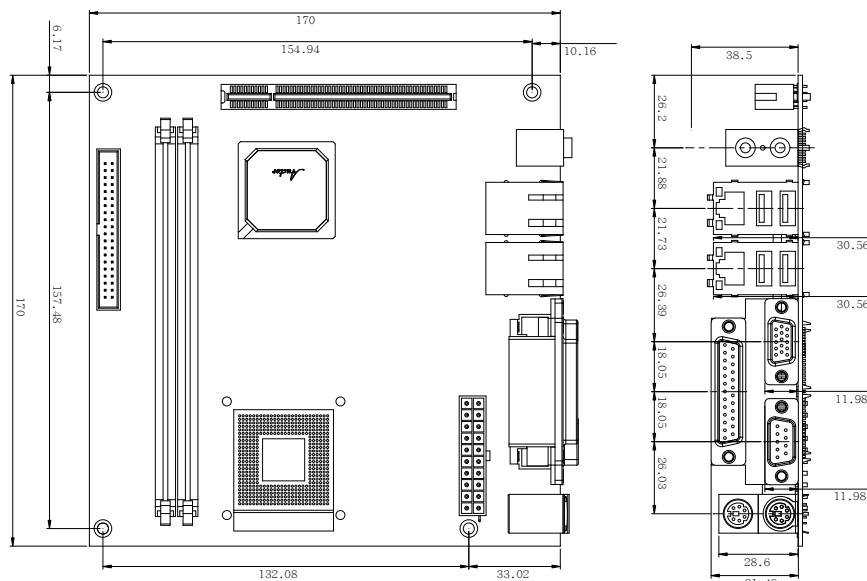
◆ Dimension

170(L) mm x 170(W) mm

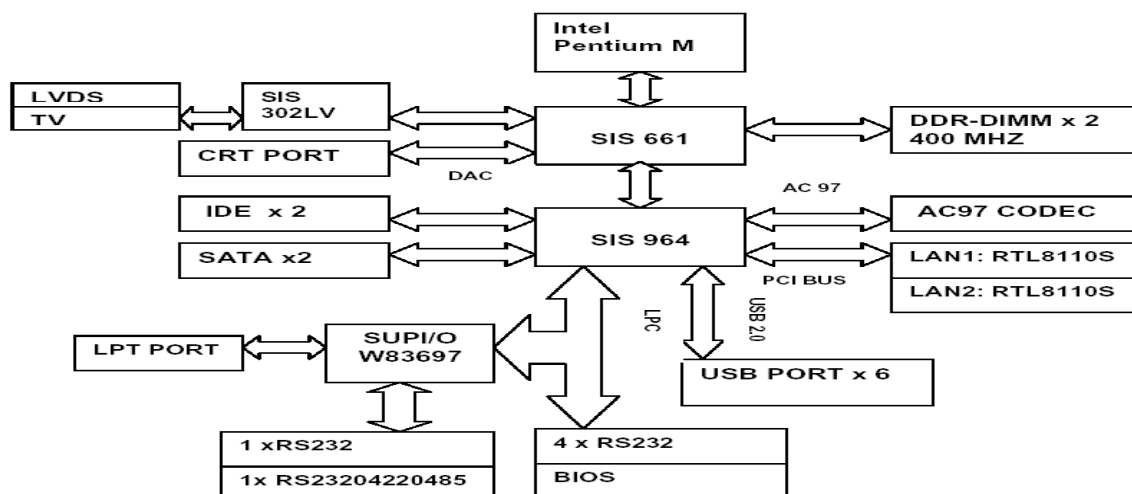
◆ Weight

GW: 1.1KG NW: 0.4 KG

Dimension



Function Block



Packing List

1 x KINO-6612 single board computer	2 x Dual RS-232 cable (P/N: 32200-028401-RS)
1 x IDE flat cable 40p/40p/40p (P/N: 32200-000052-RS)	1 x I/O shielding (P/N: 45002-450903-RS)
1 x IDE flat cable 44p/44p (P/N: 32200-000009-RS)	1 x Mini jumper pack
2 x SATA cable (P/N: 32000-062800-RS)	1 x Utility CD
1 x SATA power cable (P/N: 32100-088600-RS)	1 x QIG (quick installation guide)

Ordering Information

Part No.	Description
KINO-6612LVDS-R10	Mini ITX socket 479 Intel® Pentium® M/Celeron® M FSB 533MHz CPU board with VGA, LVDS, TV-out, dual GbE, Audio & SATA
KINO-6612-R10	Mini ITX Socket 479 Intel® Pentium® M/Celeron® M FSB 533Mhz CPU board with VGA, TV-OUT, Dual GbE, Audio & SATA
19800-000054-RS	TV-OUT Cable
CF-479B-RS	KINO-6612 Socket 479 type CPU cooler
32200-000077-RS	RS-232/422/485 cable with bracket
CB-USB02A-RS	USB cable



Headquarters

IEI Technology Corp.

TEL : +886-2-86916798 FAX : +886-2-66160028

sales@ieiworld.com www.ieiworld.com

No. 29, Jhongsing Rd., Sijhih City, Taipei County, 221, Taiwan

America-United States

IEI Technology USA Corp.

TEL : +1-562-690-6677 FAX : +1-562-690-0898

sales@usa.ieiworld.com www.usa.ieiworld.com

515 N. Puente St., Brea, CA 92821

China

Armorlink SH Corp.

TEL : +86-021-54429000 FAX : +86-021-54429100

sales@ieiworld.com.cn www.ieiworld.com.cn

No.515, Shenfu Road, Minhang District, Shanghai, China