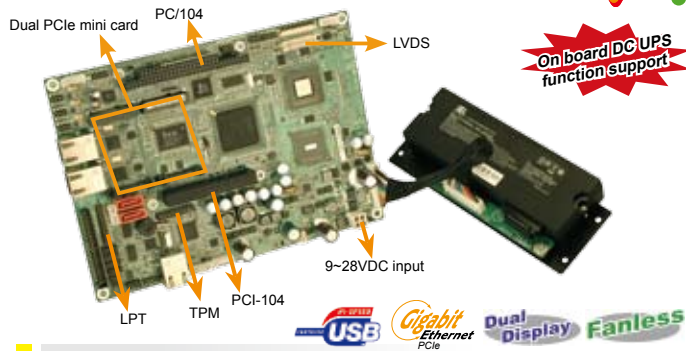


eNOVA-945GSE

5.25" SBC with AUPS sub-system, Intel® Atom™ Processor N270 1.6 GHz, Wide range 9-28VDC input, Dual PCIe Mini card



Features

1. Intel® Atom™ N270 Processor 1.6 GHz for ultra low voltage fan-less support
2. Equipped with AUPS sub-system acts as a simple UPS system
3. Support Dual PCIe mini Card for expansions
4. Wide range 9-28V DC input
5. Support LVDS, TV-out, VGA display output
6. CF socket for storage expansion
7. TPM support

Specifications

- ◆ CPU
Intel® Atom™ Processor N270 1.6GHz with 533 MHz FSB 512K L2 Cache
- ◆ System Chipset
Intel® 945GSE / Intel® ICH7M
- ◆ BIOS
AMI BIOS
- ◆ Memory
One 200-pin 400/533 DDR2 SDRAM SO-DIMM supported (system max. 2GB)
- ◆ Ethernet
Dual Realtek PCIe 8111CP GbE Controller
- ◆ Graphic
On Intel® Graphics Media Accelerator 950 (Intel® GMA 950)
- ◆ I/O Interface
3 x RS-232 1 x RS-232/422/485
6 x USB2.0 1 x LPT
2 x SATA with 5V DC output
1 x IDE 1 x 6pin header for KB/MS
- ◆ Expansions
1 x PC104+ (ISA+PCI bus)
2 x PCIe mini card
- ◆ DC connector
2pcs 1x 2pin 5V power connector (Major for 2.5" HDD used)
- ◆ Digital I/O
8-bit digital I/O (4-bit input, 4-bit output)
- ◆ Infrared Interface
1 x 5-pin pin header
- ◆ Super IO
ITE8718F
- ◆ Display Output
Analog CRT Support for CRT Hot plug Support HDTV by component interface 18-bit dual-channel LVDS Support up to UXGA (1600x 1200)
- ◆ Audio
AC'97 ALC655 codec
- ◆ SSD
CF Type II
- ◆ TPM
1x 20pin pin header
- ◆ Watchdog Timer
Software programmable supports 1~255 sec. system reset
- ◆ Power Supply
Maximum input voltage range 9V~28V Recommend operating input voltage range 12V~24V
1x internal 2x2-pin power connector
- ◆ Power Consumption
1.19A@12V (Intel® Atom™ N270 processor with 1 GB DDR2)
- ◆ Temperature
Operation: 0°C ~ 40°C with AUPS sub-system
Operation: 0°C ~ 60°C without AUPS sub-system
- ◆ Humidity: Operation: 5% ~ 95%, non-condensing
- ◆ Dimensions: 203mm x 146mm
- ◆ Weight: GW:1000g, NW:400g

Solder side



DDR2 533 CF Type II

Packing List

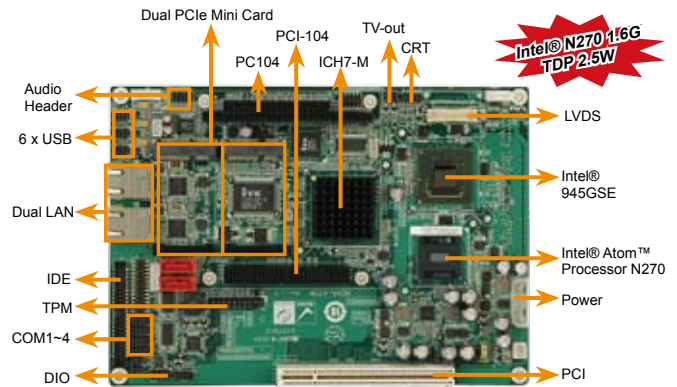
1 x eNOVA-945GSE Single board computer
1 x VGA cable (P/N: 32000-033804-RS)
1 x KB/MS Y cable (P/N: 32000-023800-RS)
1 x Audio cable (P/N: 32000-072100-RS)
4 x RS-232 cable (P/N: 32200-000049-RS)
2 x SATA 5V power output Cable Kit (P/N:32000-114000-RS)
1 x USB cable (P/N:32000-070301-RS)
1 x Mini Jumper Pack
1 x Utility CD
1 x QIG

Ordering Information

Part No.	Description
eNOVA-945GSE-N270-R10	5.25" SBC with AUPS sub-system, Intel® Atom™ N270 1.6 GHz, Wide range 9-28V DC input, Dual PCIe Mini
HDTV/CABLESET-01	HDTV cable set with s-video, composite and component interfaces
32100-088600-RS	SATA Power cable
32200-015100-RS	LPT cable
32100-192900-RS	One 4-pin(2x2) to one 4-pin(1x4) DC power cable with terminal block
32200-000009-RS	IDE Flat Cable 44p/44p
32200-833600-RS	RS-422/485 cable
WMPCIE-V01-R10	802.11b+g PCIe mini card wireless LAN module with Atheros
WMUSB-V01-R10	802.11b+g USB embedded module with VIA
TPM-WI01-R10	20-pin WINBOND TPM module, S/W management Tool
BATKIT-2S2P3800-R10	2S2P 7.4V 3800 mA/AH AUPS battery kit
BAT-LI-2S2P3800	2S2P 7.4V 3800 mA/AH SMART battery
BATKIT-4S2P3800-R10	4S2P 14.8V 3800 mA/AH AUPS battery kit
BAT-LI-4S2P3800	4S2P 14.8V 3800 mA/AH SMART battery kit

NOVA-945GSE

5.25" SBC, Intel® Atom™ Processor N270 1.6 GHz, LVDS/ VGA/ HDTV, Dual PCIe Mini, Dual PCIe GbE, USB2.0, SATA, RoHS



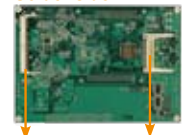
Features

1. Intel® Atom™ Processor N270 1.6 GHz for ultra low voltage fan-less support DDR2 400/533 SO-DIMM Memory support up to 2GB
2. Support Dual PCIe mini Card, PCI slot for expansion
3. Support LVDS, TV-out, VGA Display output
4. CF Socket for Storage Expansion
5. TPM support

Specifications

- ◆ CPU
Intel® Atom™ Processor N270 1.6GHz with 533 MHz FSB
- ◆ System Chipset
Intel® 945GSE+ICH7M
- ◆ BIOS
AMI Flash BIOS
- ◆ Memory
One 200-pin 400/533 DDR2 SDRAM SO-DIMM supported (system max. 2GB)
- ◆ Ethernet
Dual Realtek PCIe RTL8111CP GbE LAN
- ◆ Graphic
Intel® Generation 3.5 integrated GFX Core (133 MHz)
- ◆ I/O Interface
3 x RS-232 1 x RS-232/422/485
6 x USB2.0 2 x SATA with 5V output
1 x LPT 1 x IDE
1 x 6-pin header for KB/MS
- ◆ Expansion
1 x PC104+ (ISA+PCI bus)
2 x PCIe mini card
1 x PCI
- ◆ Digital I/O
8-bit digital I/O (4-bit input, 4-bit output)
- ◆ Infrared Interface
1x Infrared Interface by pin header
- ◆ Super IO
ITE8718F
- ◆ Display Output
Analog CRT Support for CRT Hot plug Support HDTV by component interface 18-bit dual-channel LVDS Support up to UXGA (1600 x 1200)
- ◆ Audio
AC'97 ALC655 codec
- ◆ SSD
CF Type II
- ◆ Watchdog Timer
software programmable 1-255 sec. by super I/O
- ◆ TPM
1x 20-pin pinheader
- ◆ Power Supply
AT/ATX Power
- ◆ Power Consumption
5V@2.89A, 12V@0.04A (Intel® Atom™ N270 with 1GB DDR2)
- ◆ Temperature
Operation: 0°C ~ 60°C (32 ~ 140° F)
- ◆ Humidity
Operation: 5% ~ 95%, non-condensing
- ◆ Dimensions: 203 mm x 146 mm
- ◆ Weight: GW:1000g, NW:400g

Solder side



SO-DIMM CF Type II

Packing List

1 x NOVA-945GSE single board computer
1 x VGA cable (P/N: 32000-033804-RS)
1 x KB/MS Y cable (P/N: 32000-023800-RS)
1 x Audio cable (P/N: 32000-072100-RS)
2 x SATA cable (P/N: 32000-062800-RS)
4 x RS-232 cable (P/N: 32200-000049-RS)
1 x USB cable (P/N: 32000-070301-RS)
1 x Mini jumper pack
1 x Utility CD
1 x QIG

Ordering Information

Part No.	Description
NOVA-945GSE-N270-R10	5.25" SBC, Intel® Atom™ Processor N270 1.6GHz, LVDS/ VGA/ HDTV, Dual PCIe Mini, Dual PCIe GbE, USB2.0, SATA, RoHS
HDTV/CABLESET-01	HDTV cable set with S-Video, composite and component interfaces
32200-000009-RS	44-pin 2.5" IDE cable
32100-088600-RS	SATA Power cable
32200-015100-RS	LPT cable
WMPCIE-V01-R10	802.11b+g PCIe mini card wireless LAN module with atheros
WMUSB-V01-R10	802.11b+g USB embedded module with VIA
TPM-WI01-R10	20-pin WINBOND TPM module, S/W management tool
32200-833600-RS	RS-422/485 cable