

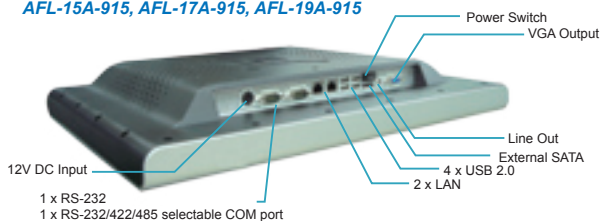
Intel® 915 Family Platform

Model	AFL-15A-915	AFL-15B-915	AFL-17A-915	AFL-17B-915	AFL-19A-915	AFL-19B-915
LCD Size	15"	15"	17"	17"	19"	19"
Max Resolution	1024x768	1024x768	1280 x 1024	1280 x 1024	1280 x 1024	1280 x 1024
Brightness (cd/m ²)	350	350	300	300	300	300
Contrast Ratio	700:1	700:1	800:1	800:1	800:1	800:1
LCD Color	262K	262K	16.7M	16.7M	16.7M	16.7M
Pixel Pitch (mm)	0.297(H) x 0.297(V)	0.297(H) x 0.297(V)	0.264(H) x 0.264(V)	0.264(H) x 0.264(V)	0.294(H) x 0.294(V)	0.294(H) x 0.294(V)
Viewing Angle (H-V)	140(H) / 125(V)	140(H) / 125(V)	160(H) / 160(V)	160(H) / 160(V)	160(H) / 160(V)	160(H) / 160(V)
Backlight MTBF	50000 hrs	50000 hrs	50000 hrs	50000 hrs	50000 hrs	50000 hrs
SBC Model	AFLMB-9152-R10	AFLMB-9152-R10	AFLMB-9152-R10	AFLMB-9152-R10	AFLMB-9152-R10	AFLMB-9152-R10
CPU	Intel® Celeron® M (1.0GHz) with 512KB L2 Cache	Intel® Pentium® M Processor (up to 2.0GHz) Intel® Celeron® M processor	Intel® Celeron® M (1.0GHz) with 512KB L2 Cache	Intel® Pentium® M Processor (up to 2.0GHz) Intel® Celeron® M processor	Intel® Celeron® M (1.0GHz) with 512KB L2 Cache	Intel® Pentium® M Processor (up to 2.0GHz) Intel® Celeron® M processor
Chipset	Intel® 915GME/Intel® 910GML	Intel® 915GME	Intel® 915GME/Intel® 910GML	Intel® 915GME	Intel® 915GME/Intel® 910GML	Intel® 915GME
RAM	Supports One DDR2 SO-DIMM 1.0 GB(max.) /Two DDR2 SO-DIMM 2.0 GB (max.) (Operating Temperature :0°C~35°C)	Supports two 200-pin 2GB(maximum) 400MHz or 533MHz DDR2 SO-DIMM	Supports One DDR2 SO-DIMM 1.0 GB(max.) /Two DDR2 SO-DIMM 2.0 GB (max.) (Operating Temperature :0°C~35°C)	Supports two 200-pin 2GB(maximum) 400MHz or 533MHz DDR2 SO-DIMM	Supports One DDR2 SO-DIMM 1.0 GB(max.) /Two DDR2 SO-DIMM 2.0 GB (max.) (Operating Temperature :0°C~35°C)	Supports two 200-pin 2GB(maximum) 400MHz or 533MHz DDR2 SO-DIMM
I/O Ports and Switches	1 x External SATA 1 x RS-232 COM port 1 x RS-232/422/485 COM port 2 x RJ-45 for GbE 4 x USB 2.0 1 x Power Switch 1 x Reset Button 1 x VGA port 1 x Audio	1 x External SATA 1 x RS-232 COM port 1 x RS-232/422/485 COM port 2 x RJ-45 for GbE 4 x USB 2.0 1 x Power Switch 1 x Reset Button 1 x VGA port 1 x Audio	1 x External SATA 1 x RS-232 COM port 1 x RS-232/422/485 COM port 2 x RJ-45 for GbE 4 x USB 2.0 1 x Power Switch 1 x Reset Button 1 x VGA port 1 x Audio	1 x External SATA 1 x RS-232 COM port 1 x RS-232/422/485 COM port 2 x RJ-45 for GbE 4 x USB 2.0 1 x Power Switch 1 x Reset Button 1 x VGA port 1 x Audio	1 x External SATA 1 x RS-232 COM port 1 x RS-232/422/485 COM port 2 x RJ-45 for GbE 4 x USB 2.0 1 x Power Switch 1 x Reset Button 1 x VGA port 1 x Audio	1 x External SATA 1 x RS-232 COM port 1 x RS-232/422/485 COM port 2 x RJ-45 for GbE 4 x USB 2.0 1 x Power Switch 1 x Reset Button 1 x VGA port 1 x Audio
SSD	CF Type II	CF Type II	CF Type II	CF Type II	CF Type II	CF Type II
Watchdog Timer	Software Programmable supports 1~255 sec. System reset					
Audio	AMP 1.5W+AMP 1.5W	AMP 3W + AMP 3W	AMP 1.5W+AMP 1.5W	AMP 3W + AMP 3W	AMP 3W+AMP 3W	AMP 3W + AMP 3W
Expansion	1 x Wireless LAN Module (Mini PCIe Interface)	1 x Wireless LAN Module (Mini PCIe Interface)	1 x Wireless LAN Module (Mini PCIe Interface)	1 x Wireless LAN Module (Mini PCIe Interface)	1 x Wireless LAN Module (Mini PCIe Interface)	1 x Wireless LAN Module (Mini PCIe Interface)
HDD Drive Bay	1 x 2.5" SATA HDD bay	1 x 2.5" SATA HDD bay	1 x 2.5" SATA HDD bay	1 x 2.5" SATA HDD bay	1 x 2.5" SATA HDD bay	1 x 2.5" SATA HDD bay
Optional GPRS Module (support GSM 850, EGSM 900, DCS 1800 & PCS 1900)	N/A	Yes	N/A	Yes	Yes	Yes
Construction Material	ABS + PC Plastic front frame	ABS + PC Plastic front frame	ABS + PC Plastic front frame	ABS + PC Plastic front frame	ABS + PC Plastic front frame	ABS + PC Plastic front frame
LED Function	1 x Power ON/OFF LED on the front panel	1 x Power ON/OFF LED on the front panel	1 x Power ON/OFF LED on the front panel	1 x Power ON/OFF LED on the front panel	1 x Power ON/OFF LED on the front panel	1 x Power ON/OFF LED on the front panel
Mounting	Panel, Wall, Rack, Stand and Arm (VESA 100mm x 100mm)	Panel, Wall, Rack, Stand and Arm (VESA 100mm x 100mm)	Panel, Wall, Rack, Stand and Arm (VESA 100mm x 100mm)	Panel, Wall, Rack, Stand and Arm (VESA 100mm x 100mm)	Panel, Wall, Stand and Arm (VESA 100mm x 100mm)	Panel, Wall, Stand and Arm (VESA 100mm x 100mm)
Front Panel Color	Silver	Silver	Silver	Silver	Silver	Silver
Dimensions (WxHxD) (mm)	394 x 309 x 61	394 x 309 x 74.6	428 x 350 x 65	428 x 350 x 76	470x 383 x 67	470x 383 x 78.4
Operation Temperature (°C)	0°C~40°C with HDD 0°C~45°C with CF card or SATA interface 2.5"SSD HDD	0°C~40°C with HDD 0°C~45°C with CF card or SATA interface 2.5" SSD HDD	0°C~40°C with HDD 0°C~45°C with CF card or SATA interface 2.5" SSD HDD	0°C~40°C with HDD 0°C~45°C with CF card or SATA interface 2.5" SSD HDD	0°C~40°C with HDD 0°C~45°C with CF card or SATA interface 2.5" SSD HDD	0°C~40°C with HDD 0°C~45°C with CF card or SATA interface 2.5" SSD HDD
Storage Temperature (°C)	-20°C~60°C	-20°C~60°C	-20°C~60°C	-20°C~60°C	-20°C~60°C	-20°C~60°C
Net Weight	3.7 Kg	5.8 Kg	5.4 Kg	5.8 Kg	5.8 Kg	6.2 Kg
IP Level (front panel)	IP 64	IP 64	IP 64	IP 64	IP 64	IP 64
EMC	CE, FCC, CCC	CE, FCC, CCC	CE, FCC, CCC	CE, FCC, CCC	CE, FCC, CCC	CE, FCC, CCC
Safety	UL, CB	UL, CB	UL, CB	UL, CB	UL, CB	UL, CB
Touch Screen	Resistive Type 5-Wire(touch controller IC is on board)	Resistive Type 5-Wire(touch controller IC is on board)	Resistive Type 5-Wire(touch controller IC is on board)	Resistive Type 5-Wire(touch controller IC is on board)	Resistive Type 5-Wire(touch controller IC is on board)	Resistive Type 5-Wire(touch controller IC is on board)
Power Adapter	Power: 60W Input: 90VAC~264VAC @ 50/60Hz Output:12VDC	Power: 84W Input: 90VAC~264VAC @ 50/60Hz Output:12VDC	Power: 84W Input: 90VAC~264VAC @ 50/60Hz Output:12VDC	Power: 96W Input: 90VAC~264VAC @ 50/60Hz Output:12VDC	Power: 84W Input: 90VAC~264VAC @ 50/60Hz Output:12VDC	Power: 96W Input: 90VAC~264VAC @ 50/60Hz Output:12VDC
Power Requirement	12VDC	12VDC	12VDC	12VDC	12VDC	12VDC
Power Consumption	43W	63W (Intel® Pentium® M Processor 2.0GHz, 2GB memory, 40G HDD)	63W	80W (Intel® Pentium® M Processor 2.0GHz, 2GB memory, 40G HDD)	68W	82W (Intel® Pentium® M Processor 2.0GHz, 2GB memory, 40G HDD)

- 1 Application Server Platform
- 2 Single Board Computer
- 3 iBX Series POS PC
- 4 AFOLUX POS Panel PC
- 5 Video Capture Card
- 6 KAMIO RISC
- 7 IOVU Open HMI
- 8 VITO Universal Controller
- 9 DINO BLADE
- 10 LCD Product Series
- 11 Embedded System
- 12 Industrial Computer Chassis

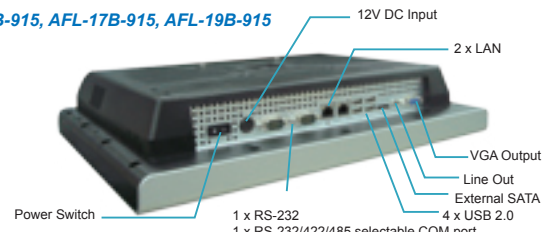
Fully Integrated I/O

AFL-15A-915, AFL-17A-915, AFL-19A-915



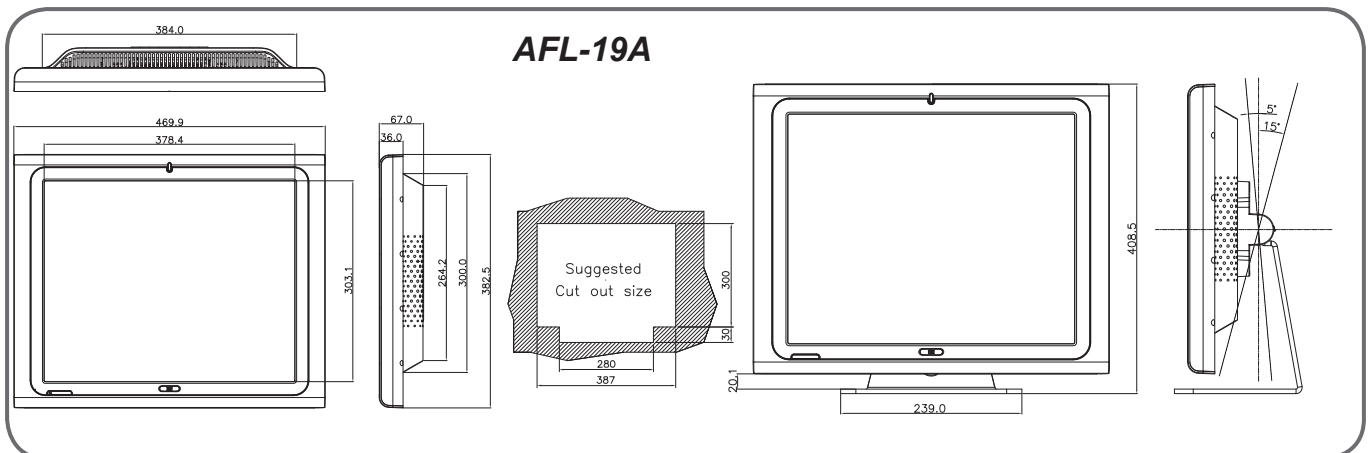
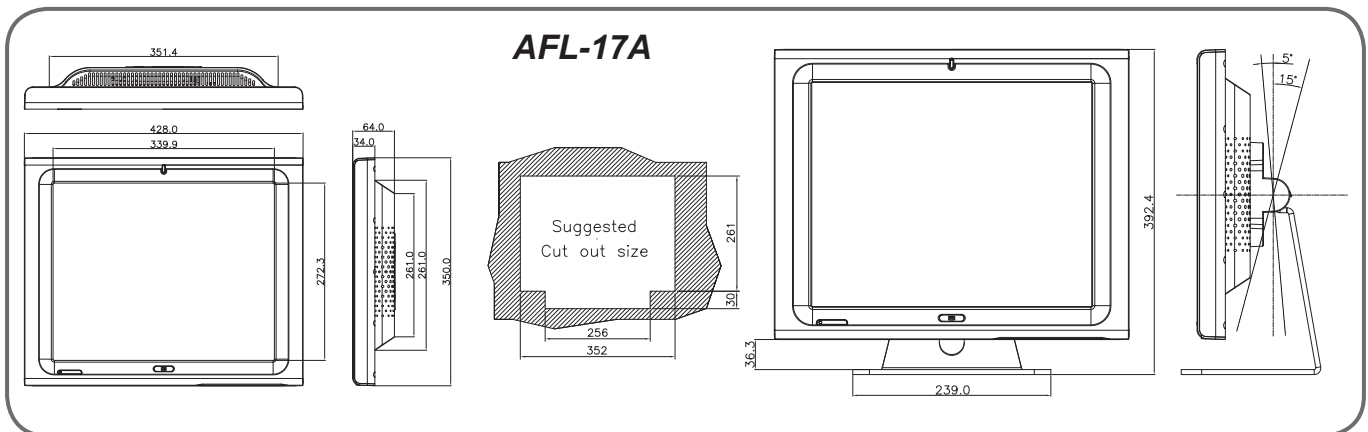
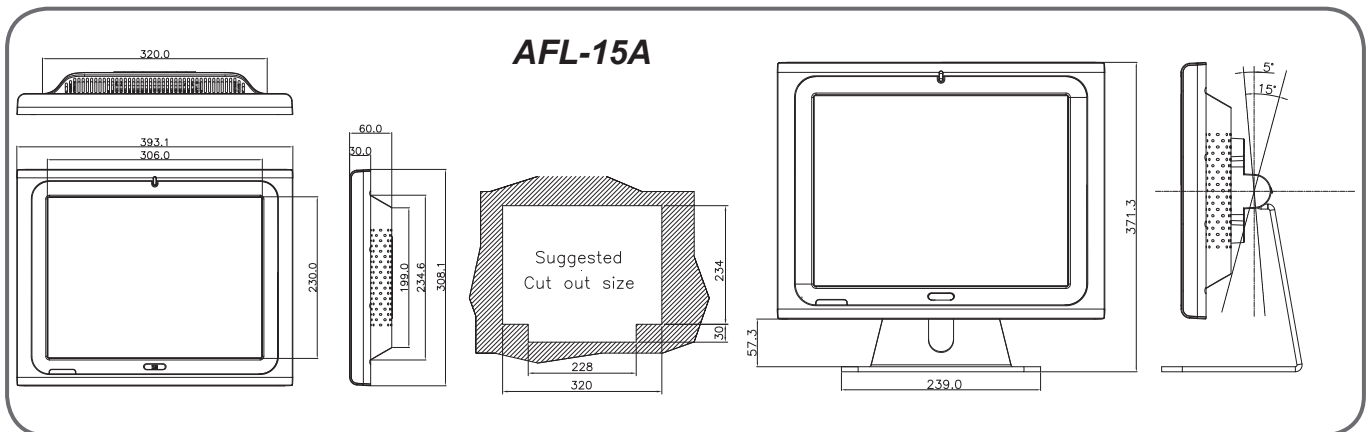
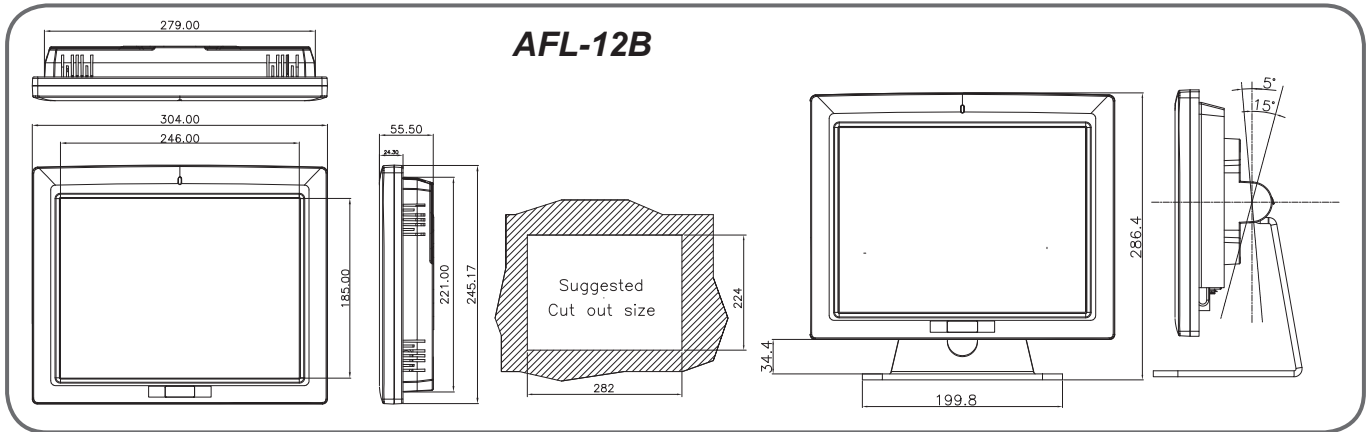
Fully Integrated I/O

AFL-15B-915, AFL-17B-915, AFL-19B-915

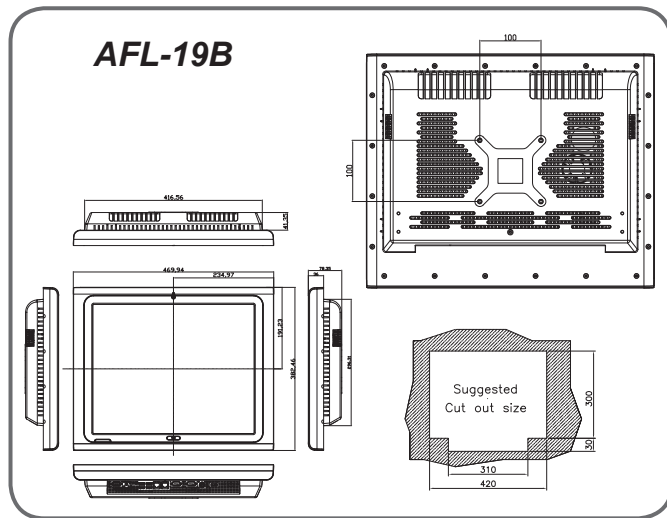
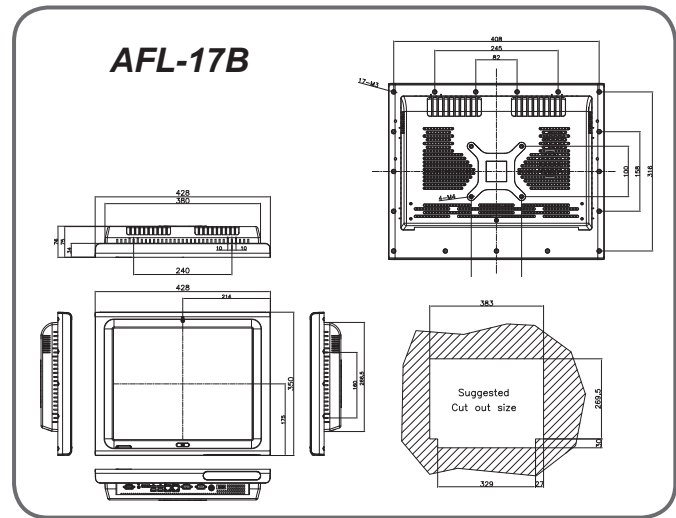
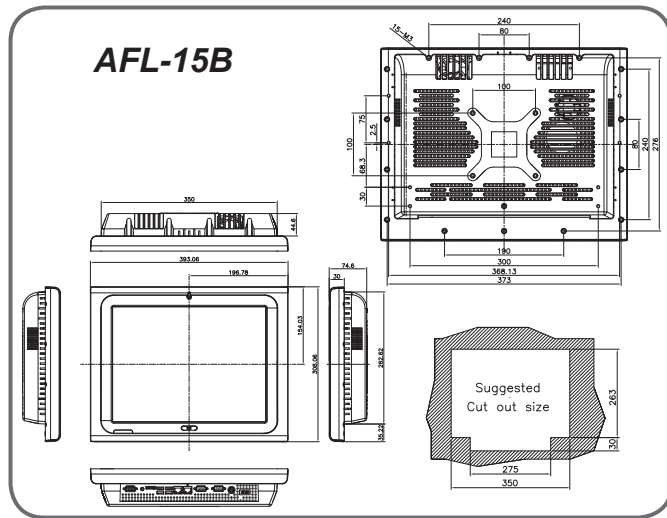


Dimensions (Unit:mm)

- 1 Application Server Platform
- 2 Single Board Computer
- 3 IBX Series POS PC
- 4 AFOLUX POS Panel PC
- 5 Video Capture Card
- 6 KAMIO RISC
- 7 IOVU Open HMI
- 8 VITO Universal Controller
- 9 DINO BLADE
- 10 LCD Product Series
- 11 Embedded System
- 12 Industrial Computer Chassis
- 13 Power Supply
- 14 Peripherals



Dimensions (Unit:mm)



Optional Internal HSDPA Specs (P/N: HSDPA01)

Band	WCDMA 850/1900/2100, GSM 850/900/1800/1900
Data Rate	HSDPA downlink 7.2Mbps, uplink 384Kbps
HSDPA/EDGE/GPRS feature set	<ul style="list-style-type: none"> • HSDPA/WCDMA/EDGE/GRPS/GSM worldwide roaming • WCDMA power class 3 • EDGE/GPRS class B, multi-slot class 10
Operating System Supported	Windows Vista, XP, Win 2000, Mac OS X, Linux
Interface	USB 2.0
Temperature	-20°C to +65°C
Humidity	up to 95% non-condensing
Dimensions	71 x 28 x 15mm

Optional Internal GPRS Specs (P/N: GPRS01)

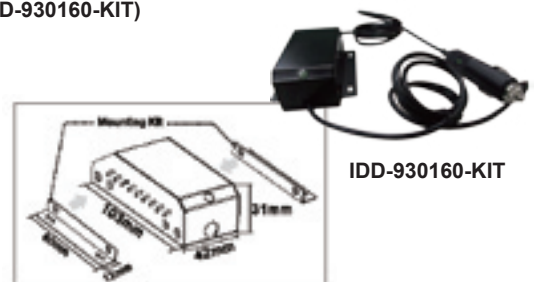
EDGE/GPRS/GSM Air interface	Quad-band operation GSM850, EGSM 900, DCS 1800, PCS 1900 GSM Power Class 4 (2W) for 850/900 bands, GSM Power Class 1 (1W) for 1800/1900 bands EDGE class E2 (+27dBm in 850/900 bands, +26dBm in 1800/1900 bands) GSM/GPRS Rel '97; PCS1900 Rel '98; EGPRS Rel '99 compliant
EGPRS/GPRS (PS) feature set	GPRS Class 10, coding schemes 1-4 EDGE Class 10, Multi-slot classes 1-9 GPRS/EGPRS class B type 1 MT Link Adaptation Incremental redundancy (IR)
Operating System Supported	Windows 2000/XP Home/XP Pro
USB Interface	USB2.0 +5V DC
SIM Card Interface	3.0V interface
Temperature	-30°C to +65°C
Humidity	up to 95% non-condensing
Dimensions	109.3 x 42.7 x 17.7mm

Built-in Bluetooth Specs (USB 2.0 interface) (P/N:BT01)

Standard	Bluetooth V2.0
Frequency Band	2.402GHz ~ 2.480GHz unlicensed ISM band
Modulation Method	GFSK for 1Mbps; $\pi/4$ -DQPSK for 2Mbps; 8-DPSK for 3Mbps
Spread Spectrum	FHSS (Frequency Hopping Spread Spectrum)
RF Output Power	Class 2 (under 4 dBm)
Antenna terminal	50 Ohms
DC power	DC 3.3 V or DC 5V
I/O interface	USB v2.0 compliant interface
Two GPIO interface	LED link indicator interface
Dimensions	35 mm x 11 mm
Operating system supported	Windows XP, 2000, 98SE, Me

Optional 60W DC/DC Converter Module Specs (P/N:IDD-930160-KIT)

Input Voltage	9~30VDC
Input Current	Max. 8A at 6VDC
Output	12V@5A
Max. Total Output	60W
Performance Characteristics	Noise & \pm Ripple:<320mV, Line Regulation: <120mV, Load Regulation: <120mV
Transient toggle rate	250Hz (50% duty ratio)
Transient current step	From 0% to 50% and 50% to 100% of max current
Efficiency	typ. 95% (Vin=12V, 80% of full load)
Dimensions	42mm x 103mm x 31mm
Mounting Kit	12mm x 80mm
Cable Length	180cm
Operating Temperature	-40°C~85°C



1 Application Server Platform

2 Single Board Computer

3 iBX Series POS PC

4 AFOLUX POS Panel PC

5 Video Capture Card

6 KAMIO RISC

7 IOVU Open HMI

8 VITO Universal Controller

DINO BLADE

10 LCD Product Series

11 Embedded System

12 Industrial Computer Chassis

13 Power Supply

14 Peripherals

Options

Model	AFL-07A-LX-R11	AFL-08A-LX-R11	AFL-10A-LX	AFL-12A-LX-R11
Panel mounting kit	AFLPK-08		AFL-10A-CX	AFLPK-12
Wall mounting kit	AFLWK-12			
Rack mounting kit	AFLRK-07	AFLRK-08	AFLRK-10	AFLRK-12
ARM	ARM-11-RS, ARM-31-RS			
Stand	STAND-A08, STAND-100-RS/STAND-150-RS		STAND-A12, STAND-100-RS/STAND-150-RS	
DC to DC converter module	IDD-930160-KIT : 60W, 9-30V DC input			
OS: Win CE 5.0	AFLCF-07-LX-CE-R11	AFLCF-08-LX-CE-R11	AFLCF-10-LX-CE AFLCF-10-CX-CE	AFLCF-12-LX-CE-R11 AFLCF-12-CX-CE
OS: Win CE 6.0	AFLCF-07-LX-CE-CE060	AFLCF-08-LX-CE-CE060	AFLCF-10-LX-CE-CE060 AFLCF-10-CX-CE-CE060	AFLCF-12-LX-CE-CE060 AFLCF-12-CX-CE-CE060
OS: Win XPE	AFLCF-07-LX-XPE-R11	AFLCF-08-LX-XPE-R11	AFLCF-10-LX-XPE AFLCF-10-CX-XPE	AFLCF-12-LX-XPE-R11 AFLCF-12-CX-XPE

Model	AFL-15A-CX	AFL-15B-690	AFL-15A-915	AFL-17A-CX	AFL-17B-690	AFL-17A-915	AFL-19A-CX	AFL-19B-690	AFL-19A-915	
Panel mounting kit	AFLPK-15	AFLPK-15B	AFLPK-15 AFLPK-15B	AFLPK-17	AFLPK-17B	AFLPK-17 AFLPK-17B	AFLPK-19	AFLPK-19B	AFLPK-19 AFLPK-19B	
Wall mounting kit	AFLWK-19									
Rack mounting kit	AFLRK-15	AFLRK-15B	AFLRK-15 AFLRK-15B	AFLRK-17	AFLRK-17B	AFLRK-17 AFLRK-17B	N/A			
ARM	ARM-11-RS, ARM-31-RS									
Stand	STAND-A19, STAND-B19, STAND-210-RS									
DC to DC converter module	N/A									
OS: Win CE 5.0	AFLCF-15-CX-CE	AFLCF-15-690-CE050	AFLCF-15-915-CE050	AFLCF-17-CX-CE	AFLCF-17-690-CE050	AFLCF-17-915-CE050	AFLCF-19-CX-CE	AFLCF-19-690-CE050	AFLCF-19-915-CE050	
OS: Win CE 6.0	AFLCF-15-CX-CE-CE060	AFLCF-15-690-CE060	AFLCF-15-915-CE060	AFLCF-17-CX-CE-CE060	AFLCF-17-690-CE060	AFLCF-17-915-CE060	AFLCF-17-CX-CE-CE060	AFLCF-19-690-CE060	AFLCF-19-915-CE060	
OS: Win XPE	AFLCF-15-CX-XPE	AFLCF-15-690-XPE	AFLCF-15-915-XPE	AFLCF-17-CX-XPE	AFLCF-17-690-XPE	AFLCF-17-915-XPE	AFLCF-19-CX-XPE	AFLCF-19-690-XPE	AFLCF-19-915-XPE	

Ordering Information

AMD Geode™ LX Family	
AFL-056A-LX/WT-R/256MB	5.6", 350cd/m² QVGA fanless panel PC with AMD Geode™ LX 800 CPU, 256MB DDR RAM, 802.11 b/g wireless module, Bluetooth module and touch screen, RoHS
AFL-056A-LX/WT-R/512MB	5.6", 350cd/m² QVGA fanless panel PC with AMD Geode™ LX 800 CPU, 512MB DDR RAM, 802.11 b/g wireless module, Bluetooth module and touch screen, RoHS
AFL-057A-LX/WT-R/256MB	5.7", 400cd/m² VGA fanless panel PC with AMD Geode™ LX 800 CPU, 256MB DDR RAM, 802.11 b/g wireless module, Bluetooth module and touch screen, RoHS
AFL-057A-LX/WT-R/512MB	5.7", 400cd/m² VGA fanless panel PC with AMD Geode™ LX 800 CPU, 512MB DDR RAM, 802.11 b/g wireless module, Bluetooth module and touch screen, RoHS
AFL-07A-LX/WT-R/256MB-R11	7", 350cd/m² WVGA fanless panel PC with AMD Geode™ LX 800 CPU, 256MB DDR RAM, 802.11b/g wireless module, Bluetooth module and touch screen, RoHS
AFL-07A-LX/WT-R/512MB-R11	7", 350cd/m² WVGA fanless panel PC with AMD Geode™ LX 800 CPU, 512MB DDR RAM, 802.11b/g wireless module, Bluetooth module and touch screen, RoHS
AFL-08AH-LX/WT-R/256MB-R11	8.4", 450cd/m² SVGA fanless panel PC with AMD Geode™ LX 800 CPU, 256MB DDR RAM, 802.11b/g wireless module, Bluetooth module and touch screen, RoHS
AFL-08AH-LX/WT-R/512MB-R11	8.4", 450cd/m² SVGA fanless panel PC with AMD Geode™ LX 800 CPU, 512MB DDR RAM, 802.11b/g wireless module, Bluetooth module and touch screen, RoHS
AFL-10A-LX/WT-R/256MB/**(GPRS01)	10.4", 400cd/m² SVGA fanless panel PC with AMD Geode™ LX 800 CPU, 256MB DDR RAM, 802.11b/g wireless module, Bluetooth module and touch screen, RoHS
AFL-10A-LX/WT-R/512MB/**(GPRS01)	10.4", 400cd/m² SVGA fanless panel PC with AMD Geode™ LX 800 CPU, 512MB DDR RAM, 802.11b/g wireless module, Bluetooth module and touch screen, RoHS
AFL-12A-LX/WT-R/256MB-R11/**(GPRS01)	12.1", 450cd/m² XGA fanless panel PC with AMD Geode™ LX 800 CPU, 256MB DDR RAM, 802.11b/g wireless module, Bluetooth module and touch screen, RoHS
AFL-12A-LX/WT-R/512MB-R11/**(GPRS01)	12.1", 450cd/m² XGA fanless panel PC with AMD Geode™ LX 800 CPU, 512MB DDR RAM, 802.11b/g wireless module, Bluetooth module and touch screen, RoHS

**Note: For AFL-12A/15A model, if the GPRS module is used, the HDD can't be implemented.

Ordering Information

VIA® CX700M Family	
AFL-10A-CX-15GZ/WT-R/512MB/**(GPRS01)	10.4", 400cd/m² SVGA panel PC with VIA C7® 1.5GHz CPU, 512MB DDR2 RAM, 802.11b/g wireless module, Bluetooth module and touch screen, RoHS
AFL-10A-CX-05GZ/WT-R/512MB/**(GPRS01)	10.4", 400cd/m² SVGA fanless panel PC with VIA Eden™ 500MHz CPU, 512MB DDR2 RAM, 802.11b/g wireless module, Bluetooth module and touch screen, RoHS
AFL-12B-CX-15GZ/WT-R/512MB/**(GPRS01)	12.1", 450cd/m² XGA panel PC with VIA C7® 1.5GHz CPU, 512MB DDR2 RAM, 802.11b/g wireless module, Bluetooth module and touch screen, RoHS
AFL-12B-CX-05GZ/WT-R/512MB/**(GPRS01)	12.1", 450cd/m² XGA fanless panel PC with VIA Eden™ 500MHz CPU, 512MB DDR2 RAM, 802.11b/g wireless module, Bluetooth module and touch screen, RoHS
AFL-15A-CX-15GZ/WT-R/512MB/**(GPRS01)	15", 350cd/m² XGA panel PC with VIA C7® 1.5GHz CPU, 512MB DDR2 RAM, 802.11b/g wireless module, Bluetooth module and touch screen, RoHS
AFL-15A-CX-05GZ/WT-R/512MB/**(GPRS01)	15", 350cd/m² XGA fanless panel PC with VIA Eden™ 500MHz CPU, 512MB DDR2 RAM, 802.11b/g wireless module, Bluetooth module and touch screen, RoHS
AFL-17A-CX-15GZ/WT-R/512MB/**(GPRS01)	17", 300cd/m² SXGA panel PC with VIA C7® 1.5GHz CPU, 512MB DDR2 RAM, 802.11b/g wireless module, Bluetooth module and touch screen, RoHS
AFL-17A-CX-05GZ/WT-R/512MB/**(GPRS01)	17", 300cd/m² SXGA fanless panel PC with VIA Eden™ 500MHz CPU, 512MB DDR2 RAM, 802.11b/g wireless module, Bluetooth module and touch screen, RoHS
AFL-19A-CX-15GZ/WT-R/512MB/**(GPRS01)	19", 300cd/m² SXGA panel PC with VIA C7® 1.5GHz CPU, 512MB DDR2 RAM, 802.11b/g wireless module, Bluetooth module and touch screen, RoHS
AFL-19A-CX-05GZ/WT-R/512MB/**(GPRS01)	19", 300cd/m² SXGA fanless panel PC with VIA Eden™ 500MHz CPU, 512MB DDR2 RAM, 802.11b/g wireless module, Bluetooth module and touch screen, RoHS

Intel® 915 Family

• CPU BGA Type

** : (GPRS0) for optional GPRS module

Celeron® M 1.0GHz 512K cache

AFL-15A-915-10G/WT-R/1GB	15" 350cd/m² XGA panel PC w/ Celeron® M 1.0GHz 512K cache CPU, 1GB DDR2 RAM, 802.11 b/g wireless module, touch screen, Bluetooth, RoHS
AFL-17A-915-10G/WT-R/1GB	17" 300cd/m² SXGA panel PC w/ Celeron® M 1.0GHz 512K cache CPU, 1GB DDR2 RAM, 802.11 b/g wireless module, touch screen, Bluetooth, RoHS
AFL-19A-915-10G/WT-R/1GB/**(GPRS01)	19" 300cd/m² SXGA panel PC w/ Celeron® M 1.0GHz 512K cache CPU, 1GB DDR2 RAM, 802.11 b/g wireless module, touch screen, Bluetooth, RoHS

• CPU Socket Type

Pentium® M 1.6GHz

AFL-15B-915-PM16G/WT-R/1GB/**(GPRS01)	15" 350cd/m² XGA panel PC w/ Pentium® M 1.6GHz CPU, 1GB DDR2 RAM, 802.11 b/g wireless module, touch screen, Bluetooth, RoHS
AFL-17B-915-PM16G/WT-R/1GB/**(GPRS01)	17" 300cd/m² SXGA panel PC w/ Pentium® M 1.6GHz CPU, 1GB DDR2 RAM, 802.11 b/g wireless module, touch screen, Bluetooth, RoHS
AFL-19B-915-PM16G/WT-R/1GB/**(GPRS01)	19" 300cd/m² SXGA panel PC w/ Pentium® M 1.6GHz CPU, 1GB DDR2 RAM, 802.11 b/g wireless module, touch screen, Bluetooth, RoHS

Celeron® M 1.5GHz (Intel® Processor # 370)

AFL-15B-915-CM370/WT-R/1GB/**(GPRS01)	15" 350cd/m² XGA panel PC w/ Celeron® M 1.5GHz CPU, 1GB DDR2 RAM, 802.11 b/g wireless module, touch screen, Bluetooth, RoHS
AFL-17B-915-CM370/WT-R/1GB/**(GPRS01)	17" 300cd/m² SXGA panel PC w/ Celeron® M 1.5GHz CPU, 1GB DDR2 RAM, 802.11 b/g wireless module, touch screen, Bluetooth, RoHS
AFL-19B-915-CM370/WT-R/1GB/**(GPRS01)	19" 300cd/m² SXGA panel PC w/ Celeron® M 1.5GHz CPU, 1GB DDR2 RAM, 802.11 b/g wireless module, touch screen, Bluetooth, RoHS

AMD 690 Family

AMD Athlon™ 64 X2 Dual-Core 4000+ 2.1GHz

AFL-15B-690-AX2-4000/WT-R/1GB/**(GPRS01)	15" 350cd/m² XGA panel PC w/ AMD Athlon™ 64 X2 Dual-Core 4000+ 2.1GHz CPU, 1GB DDR2 RAM, 802.11 b/g wireless module, touch screen, Bluetooth, RoHS
AFL-17B-690-AX2-4000/WT-R/1GB/**(GPRS01)	17" 300cd/m² SXGA panel PC w/ AMD Athlon™ 64 X2 Dual-Core 4000+ 2.1GHz CPU, 1GB DDR2 RAM, 802.11 b/g wireless module, touch screen, Bluetooth, RoHS
AFL-17B-690-AX2-4000/WT-R/1GB/**(GPRS01)	19" 300cd/m² SXGA panel PC w/ AMD Athlon™ 64 X2 Dual-Core 4000+ 2.1GHz CPU, 1GB DDR2 RAM, 802.11 b/g wireless module, touch screen, Bluetooth, RoHS