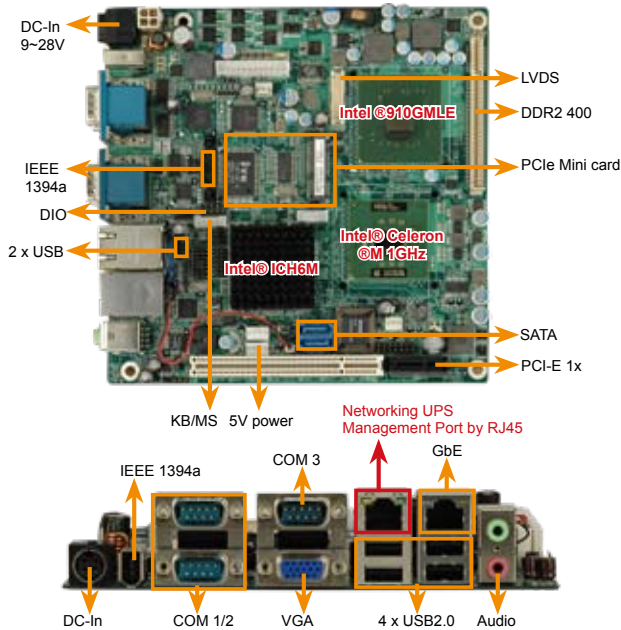


# eKINO-9102/9152

Mini-ITX Motherboard with AUPS sub-system,  
Intel® Pentium®M/ Celeron®M CPU, Wide  
range 9-28VDC input



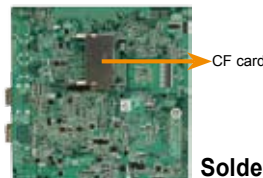
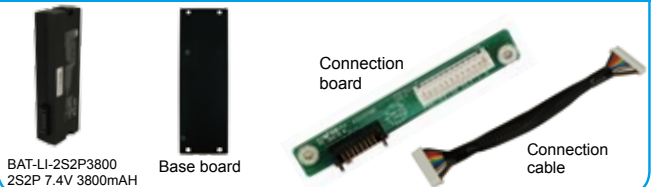
## IEI AUPS sub-system Benefit:

- Provides power immediately and maintains power for certain period of time.
- Continues to provide stable power to equipment and absorbs power surges
- Smooth out noisy power sources.

IEI motherboard with AUPS sub-system kits



## BATKIT-2S2P3800-R10



IEEE1394a port with bracket to 8pin(1x8) connector

19800-000103-RS

## Specifications

- ◆ CPU
  - On board Intel® Celeron® M 1GHz with 512K L2 cache CPU
  - Socket479 Intel® Pentium®M/ Celeron®M CPU with 400/533MHz FSB
- ◆ System Chipset
  - Intel® 910GMLE + ICH6-M
  - Intel® 915GME + ICH6-M
- ◆ BIOS
  - AMI BIOS
- ◆ Memory
  - One 200-pin DDR2 400MHz SDRAM SO-DIMM supported (eKINO-9102 system max. 2GB)
  - One 200-pin DDR2 400/533MHz SDRAM SO-DIMM supported (eKINO-9152 system max. 2GB)
- ◆ Ethernet
  - 1 x RTL8111CP PCIe GbE LAN controller
- ◆ Display Output
  - VGA Integrated in Intel® 910GMLE/915GME
  - 24-bits dual-channel LVDS by Intel® 910GMLE/915GME
- ◆ Graphic
  - Intel® Graphics Media Accelerator 900
- ◆ I/O Interfaces
  - 7 x USB2.0 (4 on rear, 3 by pin header) 2 x SATA with 5V DC output
  - 2 x RS-232 1 x RS-232/422/485
  - 2 x IEEE1394a (1 port by Rear IO, 1 port by CN3)
  - 1 x 6-pin box header (2.0mm pitch) for KB/MS
- ◆ Expansion
  - 1 x PCI
  - 1 x PCIe mini card
  - 1 x PCIe x1
- ◆ Digital I/O
  - 8-bit digital I/O, 4-bit input/ 4-bit output
- ◆ Super IO
  - ITE IT8718F
- ◆ Audio
  - AC'97 with Realtek ALC655 codec
- ◆ DC connector
  - 2pcs 1 x 4-pin 5V power connector (Major for 2.5" HDD used)
- ◆ SSD
  - CompactFlash Type II
- ◆ Watchdog Timer
  - Software programmable supports 1~255 sec. system reset
- ◆ Power Supply
  - Maximum input voltage range 9V~28V
  - Recommend operating input voltage range 12V~24V
  - 1 x external DIN 4-pin DC jack
  - 1 x internal 2 x 2-pin power connector
- ◆ Power Consumption
  - 12V@2.57A (Intel® Celeron®M 1GHz with 2GB DDR2)
- ◆ Temperature
  - Operation: 0°C ~ 40°C with AUPS sub-system
  - Operation: 0°C ~ 60°C without AUPS sub-system
- ◆ Humidity
  - Operation: 5% ~95% non-condensing
- ◆ Dimensions
  - 170mm x 170mm
- ◆ Weight
  - GW: 1100 g / NW: 400g

## Features

1. Equipped AUPS sub-system as a simple UPS system
2. IBX600 series embedded system
3. Intel® Pentium®M and Celeron®M FSB400/533 MHz CPU
4. Single voltage wide range 9~28VDC input
5. Support DDR2 400/533MHz SO-DIMM memory up to 2GB
6. Support PCI express mini card
7. VGA, 24 bits LVDS for dual display output
8. CF socket for storage expansion

## Packing List

1 x eKINO-9102/eKINO-9152 single board computer
1 x KB/MS Y cable (PN:32000-023800-RS)
1 x I/O shielding (P/N:45014-0024C0-00-RS )
1 x Dual USB cable(PN:32000-070301-RS)
2 x SATA 5V power output cable Kits (P/N:32000-123000-RS )
1 x Mini jumper pack
1 x Utility CD
1 x QIG (Quick installation guide)

## Ordering Information

Part No.	Description
eKINO-9102-1G512-R10	Mini-ITX Motherboard with AUPS sub-system, Intel® Celeron® M 1GHz 512K cache CPU, 910GMLE, Wide range 9-28VDC input
eKINO-9102CF-1G512-R10	Mini-ITX Motherboard with AUPS sub-system, Intel® Celeron® M 1GHz 512K Cache CPU, 910GMLE, Wide range 9-28VDC input, CF type II slot
eKINO-9152-R10	Mini-ITX motherboard with AUPS sub-system, Intel® Pentium®M/ Celeron®M CPU, 915GME, Wide range 9-28VDC input
eKINO-9152CF-R10	Mini-ITX Motherboard with AUPS sub-system, Intel® Pentium®M/ Celeron®M CPU, 915GME, Wide range 9-28VDC input, CF type II slot
IBX-600-9102UPS-R10/CM373/1GB	Embedded system with UPS function, Intel® Celeron® M 1 GHz 512K cache CPU, 910GMLE, 1GB DDR2, 802.11b/g wireless, Li-Ion Battery(2S2P), 9~28VDC in, 60W adaptor, white, RoHS
CF-479B-RS	CPU cooler (50mm x 50mm x 26mm, 50W)
WMPCIE-V01-R10	PCIe Mini card wireless LAN module
BAT-LI-2S2P3800	2S2P 7.4V 3800mAH smart battery
BATKIT-2S2P3800-R10	2S2P 7.4V 3800mAH aups battery kit
19800-000103-RS	Single port IEEE1394a cable
32100-192900-RS	One 4-pin (2x2) to one 4-pin (1x4) DC power cable with terminal block
63000-FSP0601AD101C746-RS	60W/12V Power Adaptor 90VAC~260VAC, DIN 4-pin
SAIDE-KIT01-R10	SATA to IDE/CF converter board