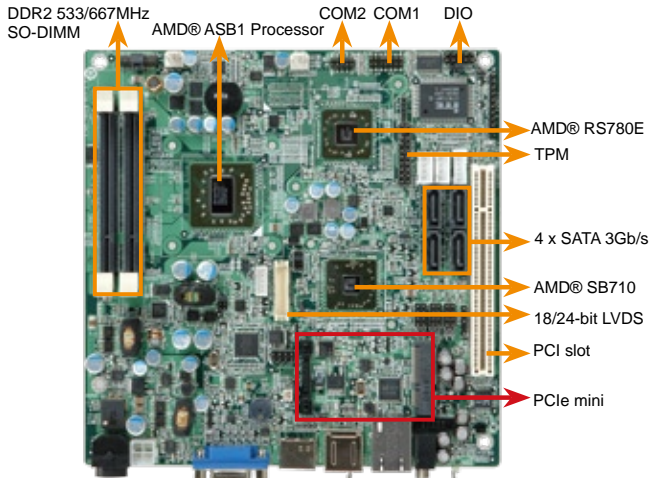
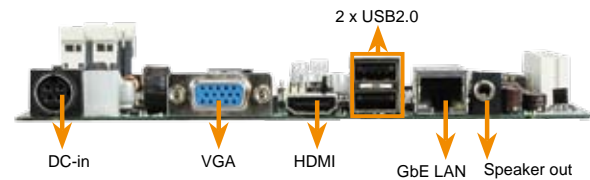
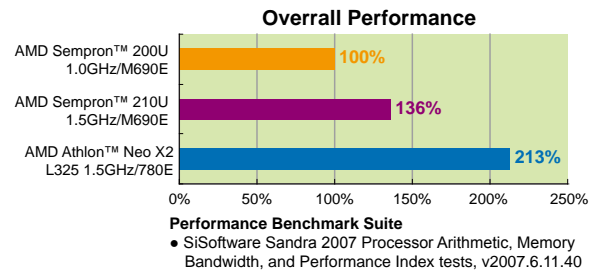


KINO-780EB

Mini-ITX SBC with AMD® ASB1 (BGA) processors,
VGA/HDMI/LVDS, PCIe GbE, USB2.0, SATAII



AMD Processor Performance Comparison



Specifications



- ◆ CPU
 - AMD® Dual core L325 1.5GHz ASB1 (BGA) processors
 - AMD® Single core 210U 1.5GHz ASB1 (BGA) processors
- ◆ System Chipset
 - AMD® RS780E + SB710
- ◆ BIOS
 - AMI BIOS
- ◆ Memory
 - Two 200-pin 667MHz dual-channel DDR2 SDRAM SO-DIMMs supported (system max.4GB for L325 CPU)
 - One 200-pin 667MHz single-channel DDR2 SDRAM SO-DIMMs supported (system max.2GB for 210U CPU)
- ◆ Ethernet
 - Realtek PCIe RTL8111CP GbE Chipsets
- ◆ I/O Interface
 - 8 x USB2.0
 - 4 x SATAII with Raid 0,1,10 support
 - 2 x SATA power connector with housing
 - 1 x RS-232/422/485
 - 1 x RS-232
 - 1 x CF Type II (optional)
 - 1 x 6-pin PS2 KB/MS
- ◆ TPM
 - 2 x 10-pin header for TPM
- ◆ Graphic
 - ATI Radeon HD3200 Graphic core for DX10 support
- ◆ Display Output
 - VGA integrated in the AMD® RS780E (Max. resolution 2560x1600@32bpp)
 - Support HDMI resolution up to 1080p integrated in the AMD® RS780E
 - 18/24-bit dual channel LVDS support
- ◆ Expansion
 - 1 x PCI
 - 1 x PCIe mini card slot
- ◆ Digital I/O
 - 8-bit digital I/O, 4-bit input/ 4-bit output
- ◆ Infrared Interface
 - 1 x 5-pin infrared interface by pin header
- ◆ Super IO
 - ITE IT8718F
- ◆ Audio
 - Realtek ALC888 HD Codec
- ◆ Watchdog Timer
 - Software Programmable support 1~255 sec. System reset
- ◆ Power Supply
 - Single voltage 12V input
 - 1 x external 4-pin DIN DC jack
 - 1 x internal 4-pin (2x2) power connector
- ◆ Power Consumption
 - 3.49A@12V (AMD® Dual core L325 1.5GHz ASB1 processors with two 2GB 667MHz DDR2)
- ◆ Temperature
 - Operation: -10°C ~ 60°C
- ◆ Humidity
 - Operation: 5% ~ 95% non-condensing
- ◆ Dimensions
 - 170 mm x 170 mm
- ◆ Weight
 - GW: 1100g / NW: 370g

Features

1. AMD® ASB1 (BGA) processors with 1600MHz Hyper Transport 1.0 support
2. RS780E Integrated UVD, MPEG2, and H.264/AVC Full HD Decoder
3. Dual display support by VGA + HDMI /LVDS+ VGA/HDMI + LVDS
4. ATI Radeon HD3200 Graphic core for DX10 support
5. TPM V1.2 hardware security function supported
6. Single 12V DC input and low profile design
7. IEI One Key Recovery solution allows you to create rapid OS backup and recovery

Packing List

1 x KINO-780EB single board computer
1 x RS-232 cable with bracket (P/N: 19800-000300-100-RS)
1 x KB/MS Y cable (PN: 32000-023800-RS)
2 x SATA with 5V power cable kits (PN: 32000-106100-RS)
1 x I/O shielding (P/N: 45014-0030C0-00-RS)
1 x Mini jumper pack
1 x Audio cable (P/N: 32000-072100-RS)
1 x Utility CD
1 x QIG (Quick Installation Guide)

Ordering Information

Part No.	Description
KINO-780EB-L325-R10	Mini-ITX SBC with AMD® Dual core L325 1.5GHz processors, VGA/HDMI/LVDS, PCIe GbE, USB2.0, SATAII
KINO-780EB-210U-R10	Mini-ITX SBC with AMD® Single core 210U 1.5GHz processors, VGA/HDMI/LVDS, PCIe GbE, USB2.0, SATAII
CB-USB02-RS	Dual USB cable
32102-000100-100-RS	SATA power cable
32102-000100-200-RS	SATA power cable
32100-192900-RS	One 4-pin (2 x 2) to one 4-pin(1x4) DC power cable with terminal block
32200-026500-RS	RS-232/422/485 cable
TPM-WI01-R10	20-pin WINBOND TPM Module, S/W management Tool
TPM-IN01-R10	20-pin INFINEON TPM Module, S/W management Tool
63000-FSP0601AD101C746-RS	60W/12V Power Adaptor 90VAC~260VAC, DIN 4 PIN