

AFL-07A-ATOM

7" Widescreen WVGA Touch Panel PC

Intel ATOM N270 1.6G Processor

AFL-08AH-ATOM

8.4" SVGA High Brightness Touch Panel PC

Intel ATOM N270 1.6G Processor

AFL-10A-ATOM

10.4" SVGA Touch Panel PC

Intel ATOM N270 1.6G Processor

AFL-12A-ATOM

12.1" XGA Touch Panel PC

Intel ATOM N270 1.6G Processor



Fanless

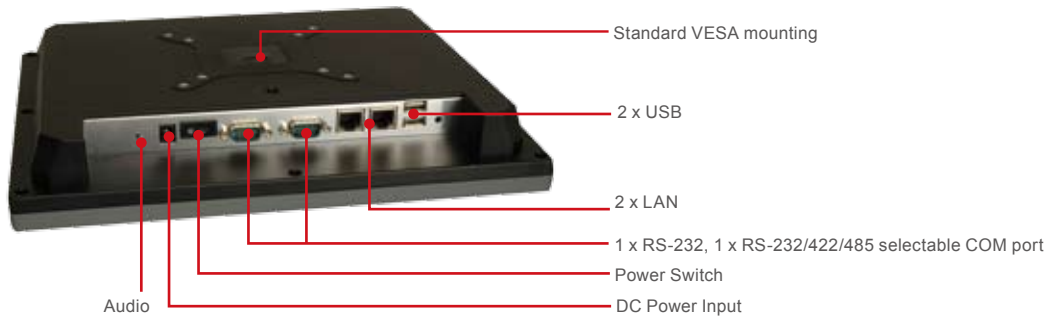
► Features

- 12.1" TFT LCD with resistive touch screen
- System memory up to 1 GB SDRAM
- Built-in 802.11b/g Wireless LAN
- Built-in Bluetooth module
- Built-in two 1.5 W speakers
- Built-in HSDPA module for mobile connection (Optional)
- One compact flash slot
- IP 64 compliant front panel

► Specifications

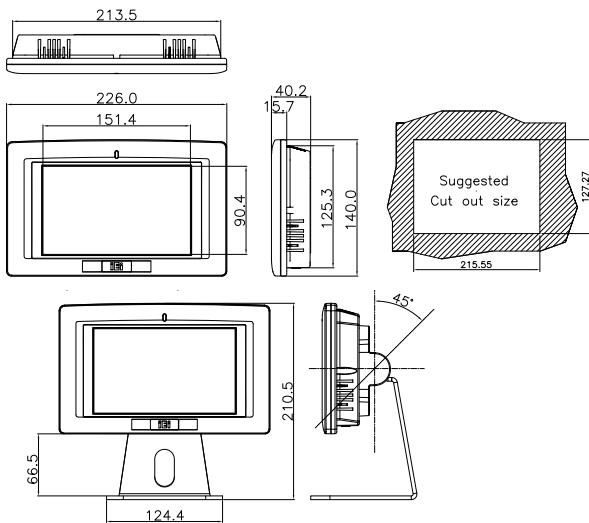
Model	AFL-07A-ATOM	AFL-08AH-ATOM	AFL-10A-ATOM	AFL-12A-ATOM
LCD Size	7"	8.4"	10.4"	12.1"
Max Resolution	800 * 600	800 * 600	800 * 600	1024 * 768
Brightness (cd/m2)	350	450	400	400
Contrast Ratio	400:1	500:1	500:1	500:1
LCD Color	262K	262K	262K	262K
Pixel Pitch (mm)	0.1905(H) x 0.1905(V)	0.213(H) x 0.213(V)	211.2(H) x 158.4(V)	0.240(H) x 0.240(V)
Viewing Angle (H-V)	140/110	120/100	120/100	120/100
Backlight MTBF	50000 hrs	50000 hrs	50000 hrs	50000 hrs
SBC Model	AFLMB-ATOM-R10			
CPU	Diamonville-SC N270 (Atom 1.6G)			
Chipset	Intel 945GMS/ICH7			
RAM	Supports one 1GB (maximum) 400MHz or 533MHz DDR II SO-DIMM			
I/O Ports and Switches	1 x RS-232 2 x USB 2.0 1 x RS-232/422/485 1 x Power Switch 1 x Reset Button 2 x LAN Ports 1 x Audio Jack			
SSD	CF Type II			
Watchdog Timer	Software programmable supports 1~255 sec. System reset			
Audio	AMP 1.5W + AMP 1.5W			
Expansion	1 x Mini PCIe (Wireless LAN Module) , 1 x Bluetooth Module (USB Interface, Bluetooth V2.0)			
HDD Drive Bay	N/A			
Optional HSDPA Module	YES			
Construction Material	ABS + PC Plastic front frame			
LED Function	1 x Power ON/OFF LED on front panel			
Mounting	Panel, Wall, Rack, Stand or Arm VESA 75mm x 75mm / 100mm x 100mm			
Front Panel Color	Gray 7539U	Gray 7539U	Gray 7539U	Gray 7539U
Dimensions (WxHxD) (mm)	226 x 140 x 40.18	233.86 x 183.86 x 41.09	276 x 227 x 50.7	304 x 246 x 49.5
Operation Temperature (°C)	0°C~45°C	0°C~45°C	0°C~45°C	0°C~45°C
Storage Temperature (°C)	-20°C~60°C	-20°C~60°C	-20°C~60°C	-20°C~60°C
Net Weight	1.4 Kg	1.4 Kg	1.4 Kg	1.4 Kg
IP Level (front panel)	IP64	IP64	IP64	IP64
EMC	CE, FCC, CCC	CE, FCC, CCC	CE, FCC, CCC	CE, FCC, CCC
Safety	UL, CB	UL, CB	UL, CB	UL, CB
Touch Screen	Resistive Type 5-Wire (touch controller IC is on board)			
Power Adapter	P/N:63000-FSP0361AD101C-RS Power:36W Input: 90VAC~264VAC @ 50/60Hz Output:12VDC	P/N:63000-FSP0361AD101C-RS Power:36W Input: 90VAC~264VAC @ 50/60Hz Output: 12VDC	P/N:63000-FSP0361AD101C-RS Power:36W Input: 90VAC~264VAC @ 50/60Hz Output: 12VDC	P/N:63000-FSP0361AD101C-RS Power:36W Input: 90VAC~264VAC @ 50/60Hz Output: 12VDC
Power Requirement	12VDC	12VDC	12VDC	12VDC
Power Consumption	25W	25W	25W	25W

► Fully Integrated I/O

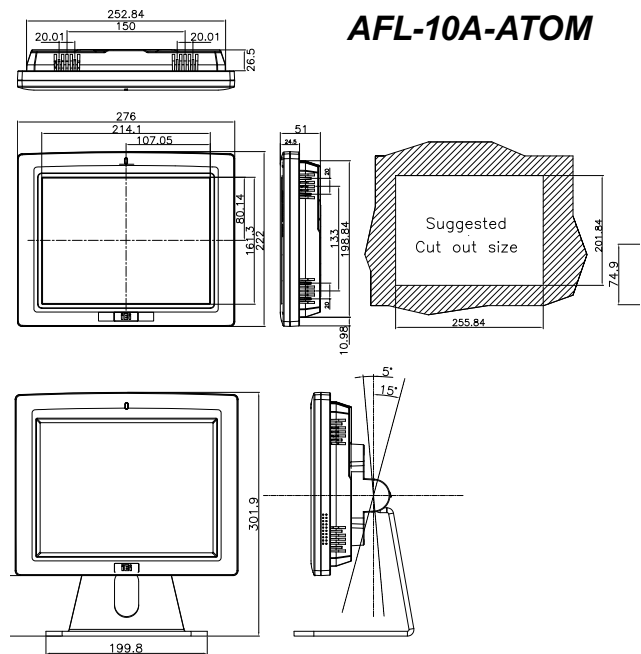


► Dimensions (Unit:mm)

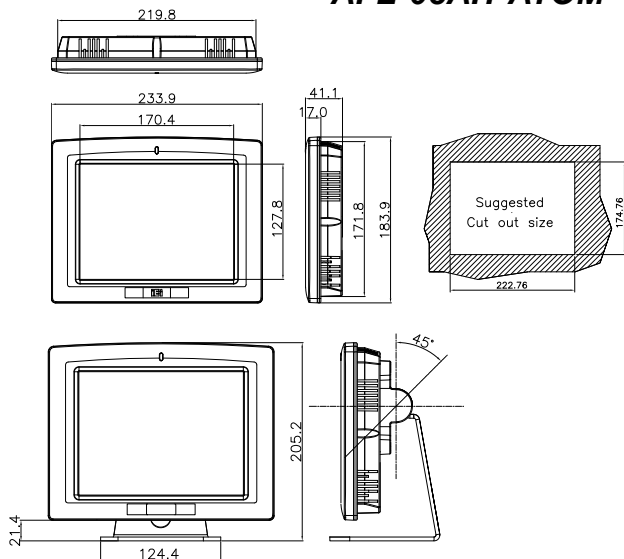
AFL-07A-ATOM



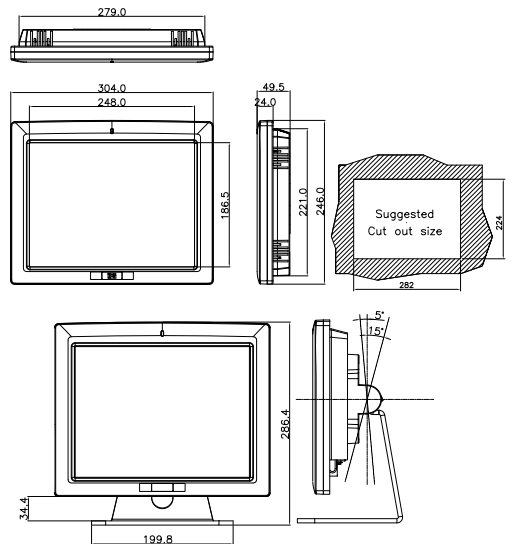
AFL-10A-ATOM



AFL-08AH-ATOM



AFL-12A-ATOM



► Ordering Information

Part Number	Description
AFL-07A-ATOM-N270/WT-R/1GB-R10	7", 350cd/m2 WVGA fanless panel PC with INTEL ATOM N270 1.6GHz,802.11b/g wireless module, bluetooth module, touch screen ,1GB DDR2 533,RoHS
AFL-08AH-ATOM-N270/WT-R/1GB-R10	8.4" 450cd/m2 SVGA fanless panel PC with INTEL ATOM N270 1.6GHz,802.11b/g wireless module,bluetooth module, touch screen ,1GB DDR2 533,RoHS
AFL-10A-ATOM-N270/WT-R/1GB-R10	10.4" 400cd/m2 SVGA fanless panel PC with INTEL ATOM N270 1.6GHz,802.11b/g wireless module,bluetooth module, touch screen ,1GB DDR2 533,RoHS
AFL-12A-ATOM-N270/WT-R/1GB-R10	12.1" 400cd/m2 XGA fanless panel PC with INTEL ATOM N270 1.6GHz,802.11b/g wireless module,bluetooth module, touch screen ,1GB DDR2 533,RoHS

► Options

		AFL-07A-ATOM	AFL-08AH-ATOM	AFL-10A-ATOM	AFL-12A-ATOM
Panel Mounting Kit		AFLPK-12			
Wall Mounting Kit		AFLWK-12			
Rack Mounting Kit		AFLRK-10			
ARM		ARM-11-RS / ARM-31-RS			
STAND		STAND-A12 STAND-100-RS / STAND-150-RS			
OS	Win CE 5.0	AFLCF-07-ATOM-CE	AFLCF-08-ATOM-CE	AFLCF-10-ATOM-CE	AFLCF-12-ATOM-CE
	Win CE 6.0	AFLCF-07-ATOM-CE060	AFLCF-08-ATOM-CE060	AFLCF-10-ATOM-CE060	AFLCF-12-ATOM-CE060
	Win XPE	AFLCF-07-ATOM-XPE	AFLCF-08-ATOM-XPE	AFLCF-10-ATOM-XPE	AFLCF-12-ATOM-XPE
DC to DC converter module		IDD-930160-KIT			
Hybrid Card Reader		AFLP-08AMSI-U	AFLP-08AMSI-U	AFLP-10AMSI-U	AFLP-12AMSI-U
Magnetic Stripe Reader		AFLP-08AMSR-U	AFLP-08AMSR-U	AFLP-10AMSR-U	AFLP-12AMSR-U
DC 12V Input UPS		AUUPS-A10-R10			
DV 9-36V Input UPS		AUUPS-A20-R10			

► Packing List

Item	P/N	Q'ty	Specifications
Screws	44013-030041-RS	4	M3;ø5mm
Power Adapter	63000-FSP0361AD101C-RS		90~264V;12V;36W
Power Cable	32000-000002-RS	1	1750MM,European Standard
User's Manual CD ROM	7B000-000087-RS	1	
Touch Pen	XTR104-0002-RS	1	