

IOVU-570M ARM-based Panel PC

NEW


Built-in WiFi function



WiFi function supports 802.11b/g



SD card

Preinstalled Windows® CE5.0 or ARM-Linux boot from secure digital card

2 x USB1.1 host
 12~36 V DC-IN
 Reset button
 10/100Mbps LAN RS-232/422/485 (software controllable)



Features:

- 5.7" TFT VGA LCD with resistive touch screen
- MARVELL XScale PXA270 520MHz processor and 128MB SDRAM
- Default 1GB secure digital card for OS and user data/programs
- Built-in 802.11b/g Wireless LAN
- Built-in 1.5W speakers
- IP64 compliant front panel
- Fan-less design for rigorous environments
- Preinstalled Windows® CE5.0 operating system.
- Windows® CE5.0 SDK for user application software development.

Packing List

1 x IOVU-570M
1 x Utility CD includes application tools, SDK, and technical document.
1 x Null modem cable
1 x Touch pen

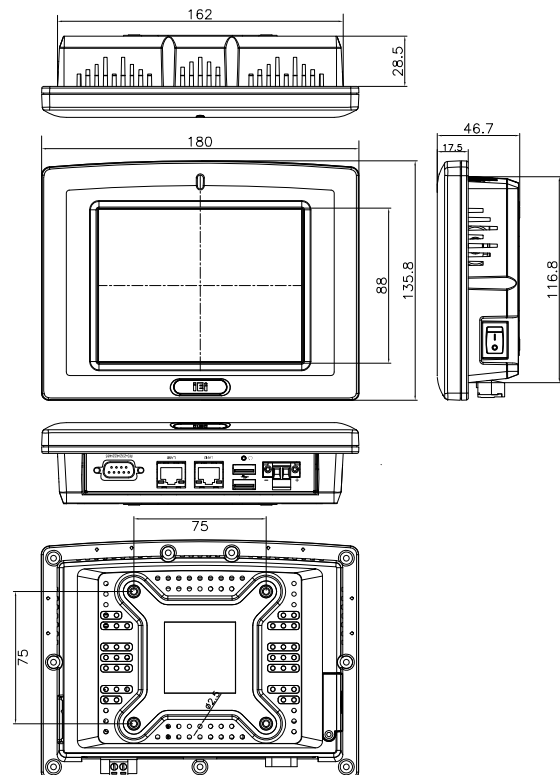
Ordering Information

Part No.	Description
IOVU-570M-CE5/-R10	5.7", VGA fan-less touch panel PC with MARVELL XScale PXA270 CPU, 128MB SDRAM, 802.11b/g wireless LAN and built-in Windows® CE5.0 Operating System

Options

Part No.	Description
ALFPK-08	Panel mount kit
AFLWK-07	VESA 75 wall mount kit
ARM-11-RS	LCD Monitor/PPC Arm kit loading capacity from 3kg~7kg
STAND-A08-RS	LCD Monitor/PPC Stand kit for VESA 75 and support up to 5 Kg
VSTAND-A07	LCD Monitor/PPC STAND V type for VESA 75, 0~90 degree adjustable hinge and support up to 2.5 Kg
AFLP-12BMSR-U	USB Magnetic Card Reader
AFLP-BRW01-U / AFLPBRB01-U	USB Barcode Reader (White / Black)
AFLP-CDB01 / AFLP-CDW01	VFD Customer Display (Green) 5 x 7 dot matrix (Black / White)
63000-FSP0601AD101C760-RS	12V/5A DC 60W power adapter with bare wire, 90~264V AC input

Dimensions (Unit : mm)



1

Automation

2

Point of Service

3

Digital Signage

4

RISC-based Solutions

5

Medical Solutions