

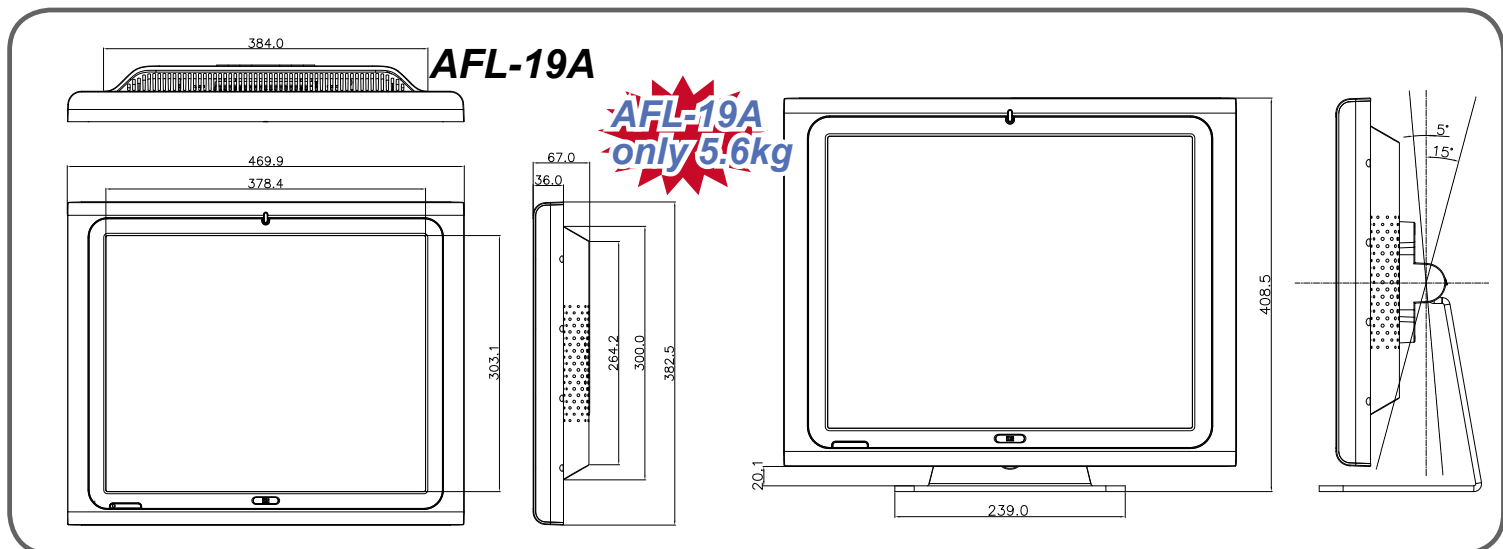
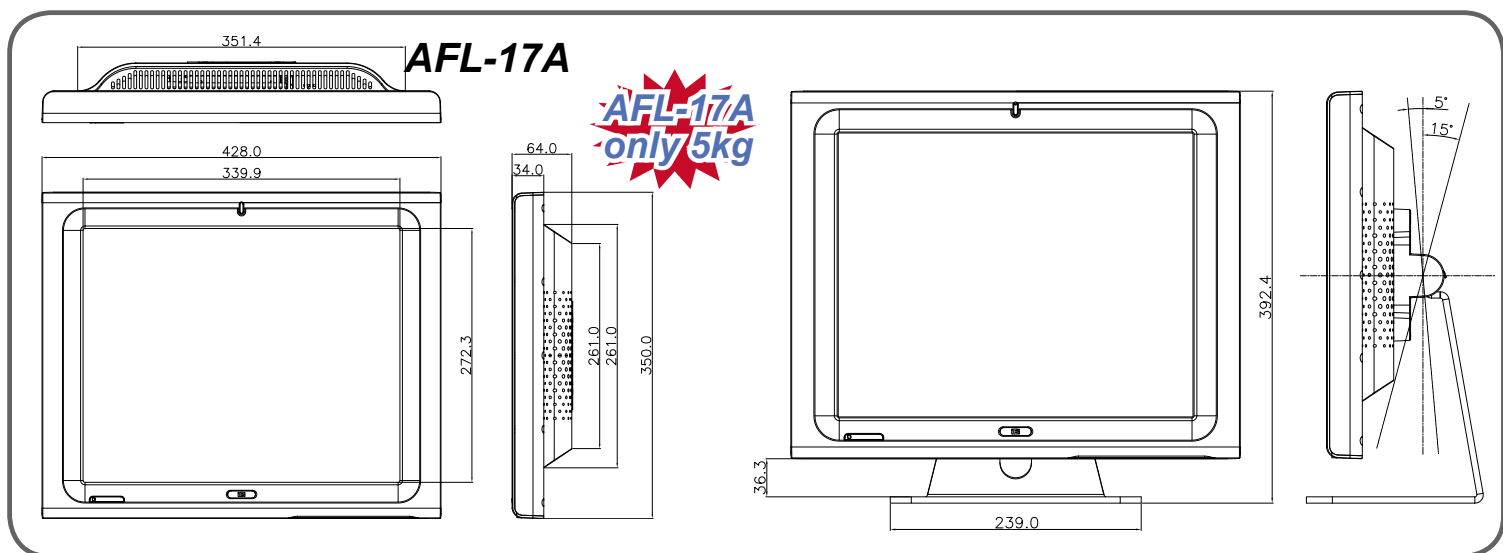
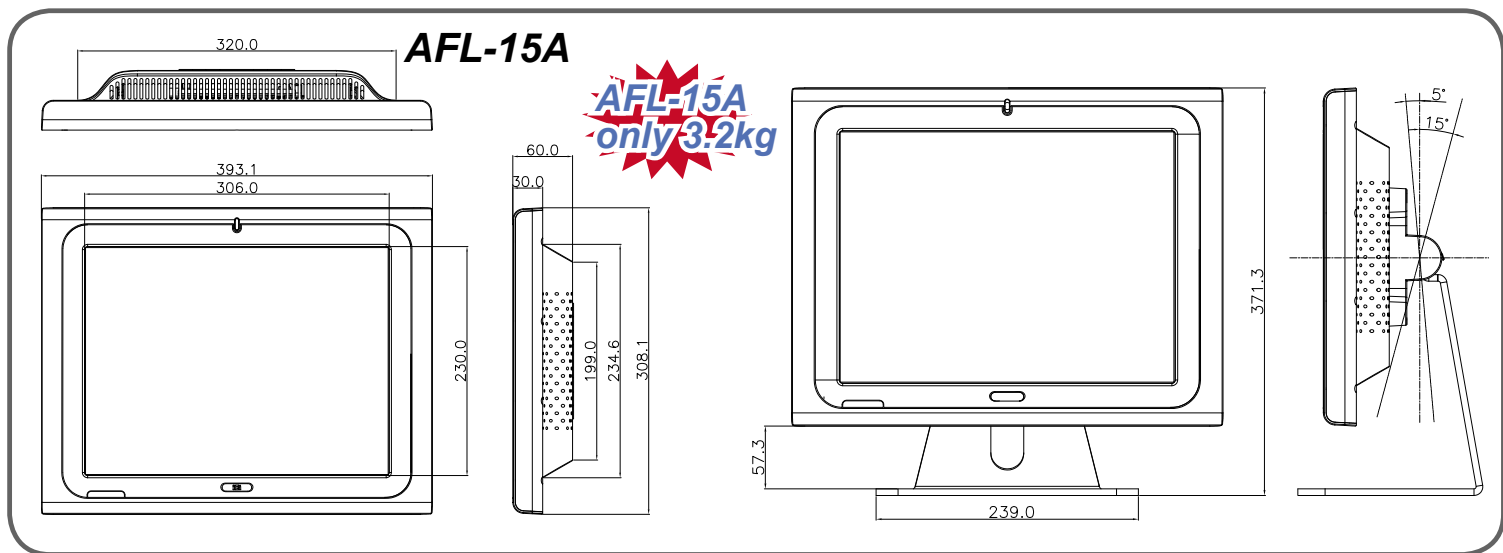


Model	AFL-15A-CX	AFL-17A-CX	AFL-19A-CX
LCD Size	15"	17"	19"
Max Resolution	1024 x 768	1280 x 1024	1280 x 1024
Brightness (cd/m ²)	350	300	300
Contrast Ratio	400:1	800:1	800:1
LCD Color	262K	16.7M	16.7M
Pixel Pitch (mm)	0.297(H) x 0.297(V)	0.264(H) x 0.264(V)	0.294(H) x 0.294(V)
Viewing Angle (H-V)	120/100	160(H) / 160(V)	160(H) / 160(V)
Backlight MTBF	50000	50000	50000
SBC Model	AFLMB-CX700	AFLMB-CX700	AFLMB-CX700
CPU	VIA C7® (1.5GHz) with fan (noise: 35.1dB) Fanless VIA Eden™ (500MHz)	VIA C7® (1.5GHz) with fan (noise: 39dB) Fanless VIA Eden™ (500MHz)	VIA C7® (1.5GHz) with fan (noise: 39dB) Fanless VIA Eden™ (500MHz)
Chipset	CX700M	CX700M	CX700M
RAM	Supports one 200-pin 1GB (maximum) 400MHz or 533MHz DDR2 SO-DIMM	Supports one 200-pin 1GB (maximum) 400MHz or 533MHz DDR2 SO-DIMM	Supports one 200-pin 1GB (maximum) 400MHz or 533MHz DDR2 SO-DIMM
I/O Ports and Switches	1 x RS-232 COM port 1 x RS-232/422/485 COM port 2 x RJ-45 for GbE 4 x USB 2.0 1 x Power Switch 1 x Reset Button	1 x RS-232 COM port 1 x RS-232/422/485 COM port 2 x RJ-45 for GbE 4 x USB 2.0 1 x Power Switch 1 x Reset Button	1 x RS-232 COM port 1 x RS-232/422/485 COM port 2 x RJ-45 for GbE 4 x USB 2.0 1 x Power Switch 1 x Reset Button
SSD	CF Type II	CF Type II	CF Type II
Audio	AMP 1.5W + 1.5W	AMP 1.5W + 1.5W	AMP 1.5W + 1.5W
Expansion	1 x Mini PCI (Wireless LAN Module) 1 x Bluetooth Module (USB Interface, Bluetooth V2.0)	1 x Mini PCI (Wireless LAN Module) 1 x Bluetooth Module (USB Interface, Bluetooth V2.0)	1 x Mini PCI (Wireless LAN Module) 1 x Bluetooth Module (USB Interface, Bluetooth V2.0)
HDD Drive Bay	1 x 2.5" HDD bay or Optional GPRS Module	1 x 2.5" HDD bay	1 x 2.5" HDD bay
Optional GPRS Module (support GSM 850,EGSM 900,DCS 1800 & PCS 1900)		Yes	Yes
Construction Material	ABS + PC Plastic front frame	ABS + PC Plastic front frame	ABS + PC Plastic front frame
LED Function	1 x Power ON/OFF LED on front panel	1 x Power ON/OFF LED on front panel	1 x Power ON/OFF LED on front panel
Mounting	Wall, Stand or Arm VESA 100mm x 100mm	Wall, Stand or Arm VESA 100mm x 100mm	Wall, Stand or Arm VESA 100mm x 100mm
Front Panel Color	Silver	Silver	Silver
Dimension (WxHxD) (mm)	394 x 309 x 61	428 x 350 x 65	470x 383 x 67
Operation Temperature (°C)	0°C~40°C	0°C~40°C	0°C~40°C
Storage Temperature (°C)	-20°C~60°C	-20°C~60°C	-20°C~60°C
Net Weight	3.2kg	5kg	5.6kg
IP Level(front panel)	IP 64	IP 64	IP 64
Safety & EMI	Meet CE, EMC, FCC and CB	Meet CE, EMC, FCC and CB	Meet CE, EMC, FCC and CB
Touch Screen	Resistive Type 5-Wire (touch controller IC is on board)	Resistive Type 5-Wire (touch controller IC is on board)	Resistive Type 5-Wire (touch controller IC is on board)
Power Adapter	P/N:63000-FSP0361AD101C-RS Power: 80W Input: 90VAC~264VAC @ 50/60Hz Output:12VDC	P/N:63000-FSP0361AD101C-RS Power: 80W Input: 90VAC~264VAC @ 50/60Hz Output:12VDC	P/N:63000-FSP0361AD101C-RS Power: 80W Input: 90VAC~264VAC @ 50/60Hz Output:12VDC
Power Requirement	12VDC	12VDC	12VDC
Power Consumption	41W	61W	64W

Fully Integrated I/O (AFL-15A-CX, AFL-17A-CX, AFL-19A-CX)



AFL All-in-one Panel PC Family



Optional Internal GPRS Spec (P/N: GPRS01)

EDGE/GPRS/GSM Air interface	Quad-band operation GSM850, EGSM 900, DCS 1800, PCS 1900 GSM Power Class 4 (2W) for 850/900 bands, GSM Power Class 1 (1W) for 1800/1900 bands EDGE class E2 (+27dBm in 850/900 bands, +26dBm in 1800/1900 bands) GSM/GPRS Rel '97; PCS1900 Rel '98; EGPRS Rel '99 compliant
EGPRS/GPRS (PS) feature set	GPRS Class 10, coding schemes 1-4 EDGE Class 10, Multi-slot classes 1-9 GPRS/EGPRS class B type 1 MT Link Adaptation Incremental redundancy (IR)
Operating System Supported	Windows 2000/XP Home/XP Pro
USB Interface	USB2.0 +5V DC
SIM Card Interface	3.0V interface
Temperature	-30°C to +65°C
Humidity	up to 95% non-condensing
Dimensions	109.3 x 42.7 x 17.7mm

Built-in Bluetooth Spec (USB 2.0 interface) (P/N:BT01)

Standard	Bluetooth V2.0
Frequency Band	2.402GHz ~ 2.480GHz unlicensed ISM band
Modulation Method	GFSK for 1Mbps; $\pi/4$ -DQPSK for 2Mbps; 8-DPSK for 3Mbps
Spread Spectrum	FHSS (Frequency Hopping Spread Spectrum)
RF Output Power	Class 2 (under 4 dBm)
Antenna terminal	50 Ohms
DC power	DC 3.3 V or DC 5V
I/O interface	USB v2.0 compliant interface
Two GPIO interface	LED link indicator interface
Dimension	35 x 11 mm
Operating system supported	Windows XP, 2000, 98SE, Me

Options

	AFL-07A-LX-R11	AFL-08A-LX-R11	AFL-10A-LX	AFL-12A-LX-R11	AFL-15A-CX	AFL-17A-CX	AFL-19A-CX
Panel mounting kit	AFLPK-07	AFLPK-08	AFLPK-10	AFLPK-12	-	-	-
Wall mounting kit	AFLWK-07	AFLWK-08	AFLWK-10	AFLWK-12	AFLWK-15	AFLWK-17	AFLWK-19
Rack mounting kit	AFLRK-07	AFLRK-08	AFLRK-10	AFLRK-12	-	-	-
Stand	STAND-A08	STAND-A08	STAND-A12	STAND-A12	STAND-A19 STAND-B19	STAND-A19 STAND-B19	STAND-A19 STAND-B19
OS: WIN CE 5.0	*AFLCF-07-LX-CE	*AFLCF-08-LX-CE	*AFLCF-10-LX-CE	*AFLCF-12-LX-CE	*AFLCF-15-CX-CE	*AFLCF-17-CX-CE	*AFLCF-19-CX-CE
OS:WIN XPE	*AFLCF-07-LX-XPE	*AFLCF-08-LX-XPE	*AFLCF-10-LX-XPE	*AFLCF-12-LX-XPE	*AFLCF-15-CX-XPE	*AFLCF-17-CX-XPE	*AFLCF-19-CX-XPE

* Note: Include-CF card, OS image with WINCE or XPE license and IEI Thin Client software package

* CF card capacity with CE 5.0:128MB, with XPE:1GB

Packing List

1xPower Cable	1xHDD Cable(12.1",15",17",19" model only)
1xUser Manual-CDROM	1xSATA HDD Cable(for 15",17",19"model only)
1xScrew Kit	1xeSATA Cable(for 15",17",19"model only)
1xTouch Pen	1x36W Power Adapter(for 7",8.4",10",12.1"model only)
	1x80W Power Adapter(for 15",17",19"model only)



AFL All-in-one Panel PC Family

Ordering Information

** : (GPRS01) for optional GPRS module. GPRS module for AFL-10A/12A/15A/17A/19A model only

Note: For AFL-12A/15A model, if the GPRS module is used, the HDD can't be implemented.

NEW!
AFL-07A

- AFL-07A-LX/WT-R/256MB-R11: 7", 350cd/m² fanless panel PC with AMD Geode™ LX 800 CPU, 256MB DDR RAM, 802.11b/g wireless module, Bluetooth module and touch screen, RoHS
- AFL-07A-LX/WT-R/512MB-R11: 7", 350cd/m² fanless panel PC with AMD Geode™ LX 800 CPU, 512MB DDR RAM, 802.11b/g wireless module, Bluetooth module and touch screen, RoHS

NEW!
AFL-08A

High Brightness Available

- AFL-08AH-LX/WT-R/256MB-R11: 8.4", 450cd/m² fanless panel PC with AMD Geode™ LX 800 CPU, 256MB DDR RAM, 802.11b/g wireless module, Bluetooth module and touch screen, RoHS
- AFL-08AH-LX/WT-R/512MB-R11: 8.4", 450cd/m² fanless panel PC with AMD Geode™ LX 800 CPU, 512MB DDR RAM, 802.11b/g wireless module, Bluetooth module and touch screen, RoHS
- AFL-08A-LX/WT-R/256MB-R11: 8.4", 220cd/m² fanless panel PC with AMD Geode™ LX 800 CPU, 256MB DDR RAM, 802.11b/g wireless module, Bluetooth module and touch screen, RoHS
- AFL-08A-LX/WT-R/512MB-R11: 8.4", 220cd/m² fanless panel PC with AMD Geode™ LX 800 CPU, 512MB DDR RAM, 802.11b/g wireless module, Bluetooth module and touch screen, RoHS

AFL-10A

- AFL-10A-LX/WT-R/256MB/**(GPRS01): 10.4", 400cd/m² fanless panel PC with AMD Geode™ LX 800 CPU, 256MB DDR RAM, 802.11b/g wireless module, Bluetooth module and touch screen, RoHS
- AFL-10A-LX/WT-R/512MB/**(GPRS01): 10.4", 400cd/m² fanless panel PC with AMD Geode™ LX 800 CPU, 512MB DDR RAM, 802.11b/g wireless module, Bluetooth module and touch screen, RoHS

NEW!
AFL-12A

- AFL-12A-LX/WT-R/256MB-R11/**(GPRS01): 12.1", 450cd/m² fanless panel PC with AMD Geode™ LX 800 CPU, 256MB DDR RAM, 802.11b/g wireless module, Bluetooth module and touch screen, RoHS
- AFL-12A-LX/WT-R/512MB-R11/**(GPRS01): 12.1", 450cd/m² fanless panel PC with AMD Geode™ LX 800 CPU, 512MB DDR RAM, 802.11b/g wireless module, Bluetooth module and touch screen, RoHS

AFL-15A

- AFL-15A-CX-15GZ/WT-R/512MB/**(GPRS01): 15", 350cd/m² panel PC with VIA C7® CPU, 512MB DDR2 RAM, 802/11b/g wireless module, Bluetooth module and touch screen, RoHS
- AFL-15A-CX-05GZ/WT-R/512MB/**(GPRS01): 15", 350cd/m² fanless panel PC with VIA Eden™ CPU, 512MB DDR2 RAM, 802.11b/g wireless module, Bluetooth module and touch screen, RoHS

AFL-17A

- AFL-17A-CX-15GZ/WT-R/512MB/**(GPRS01): 17", 300cd/m² panel PC with VIA C7® CPU, 512MB DDR2 RAM, 802.11b/g wireless module, Bluetooth module and touch screen, RoHS
- AFL-17A-CX-05GZ/WT-R/512MB/**(GPRS01): 17", 300cd/m² fanless panel PC with VIA Eden™ CPU, 512MB DDR2 RAM, 802.11b/g wireless module, Bluetooth module and touch screen, RoHS

AFL-19A

- AFL-19A-CX-15GZ/WT-R/512MB/**(GPRS01): 19", 300cd/m² panel PC with VIA C7® CPU, 512MB DDR2 RAM, 802.11b/g wireless module, Bluetooth module and touch screen, RoHS
- AFL-19A-CX-05GZ/WT-R/512MB/**(GPRS01): 19", 300cd/m² fanless panel PC with VIA Eden™ CPU, 512MB DDR2 RAM, 802.11b/g wireless module, Bluetooth module and touch screen, RoHS