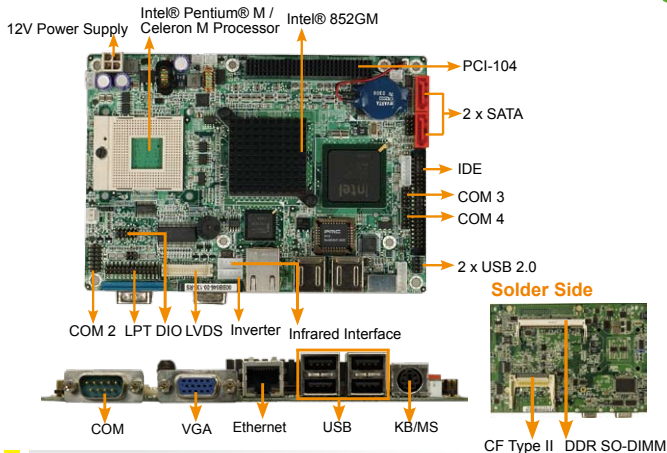


epic NANO-8522G-R13

EPIC Intel® Pentium® M/Celeron® M CPU with VGA/LVDS, SATA, LAN and Audio



Features

1. Intel® Pentium® M/ Celeron® M CPU with 400MHz FSB
2. VGA integrated in Intel® 852GM, support 18-bit dual-channel LVDS for independent dual display
3. One DDR266/200MHz SO-DIMM supports up to 1GB
4. Support PCI-104 extension slot
5. CF Type II, Intel® LAN, USB 2.0, Multi-COM, Audio and SATA integrated

Specifications

- ◆ CPU
Socket 479 Intel® Pentium® M, Celeron® M processor with 400 MHz FSB
On board Intel® Celeron® M 600MHz 512KB or 1GHz zero cache processor
- ◆ System Chipset
Intel® 852GM + ICH4
- ◆ BIOS
AMI BIOS
- ◆ System Memory
One 200-pin 266/200MHz DDR SDRAM SO-DIMM supported (system max. 1GB)
- ◆ Ethernet
Intel® 82541PI GbE chipset with ASF2.0 remote control support
Intel® 82551ER Ethernet chipset
- ◆ I/O Interface
2 x SATA with VIA VT6421A RAID 0, 1 function support
6 x USB 2.0
1 x CF Type II
3 x RS-232
1 x RS-232/422/485
1 x PS/2 for KB/MS
1 x IDE
- ◆ Expansions
1 x PCI-104 (PCI bus)
- ◆ Audio
Realtek ALC655 with AC'97 codec
- ◆ Digital I/O
8-bit digital I/O, 4-bit input/ 4-bit output by super I/O
- ◆ Infrared Interface
By super I/O
- ◆ Super I/O
W83627EHG
- ◆ Display Interface
VGA integrated in Intel® 852GM
18-bit dual-channel LVDS
- ◆ Watchdog Timer
Software programmable supports 1-255 sec. system reset
- ◆ Power Supply
12V only, AT/ATX support
- ◆ Power Consumption
12V@ 0.96A
(ULV Intel® Celeron® M 800MHz zero cache with DDR266MHz, 256MB RAM)
12V@ 1.99A
(Pentium® M 1.7GHz/L2-2M with DDR266MHz, 512MB RAM)
- ◆ Temperature
Operating: 0°C ~ 60°C (32 ~ 140° F)
- ◆ Humidity
Operating: 5% ~ 95%, non-condensing
- ◆ Dimensions:
165 mm x 115 mm
- ◆ Weight: GW: 1100 g; NW: 250 g

Packing List

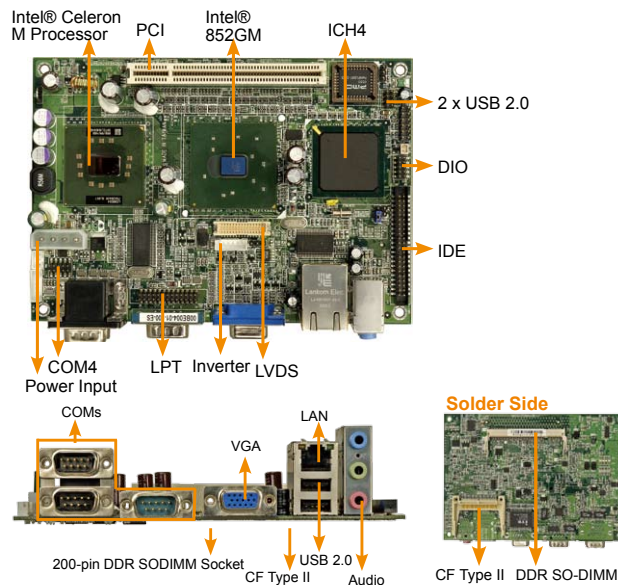
1 x NANO-8522 Single board computer	
1 x IDE Flat Cable 44p/44p (P/N: 32200-000009-RS)	
1 x PS2 KB/MS (P/N: 32000-000138-RS)	
1 x Audio Cable (P/N: 32000-072100-RS)	
2 x SATA Cable (P/N: 32000-062800-RS)	
1 x SATA Power Cable (P/N: 32100-088600-RS)	
2 x RS-232 Cable (P/N: 32200-000049-RS)	
1 x Power Cable (P/N: 32100-087100-RS)	
1 x Mini Jumper Pack	
1 x Utility CD	1 x QIG

Ordering Information

Part No.	Description
NANO-8522E-1GZ-R13	EPIC SBC with Intel® Celeron® M 1GHz zero cache processor on board with VGA/LVDS, LAN, SATA and Audio
NANO-8522E-600-R13	EPIC SBC Intel® Celeron® M 600MHz 512K cache processor on board with VGA/LVDS, LAN, SATA and Audio
NANO-8522G-R13	EPIC SBC Socket 479 Intel® Pentium® M / Celeron® M (Banias core/90nm) processor FSB 400 MHz, VGA/LVDS, GbE, SATA and Audio
CF-479B-RS	CPU cooler
32000-070300-RS	USB cable
32200-015100-RS	LPT cable
32200-026500-RS	RS-232/422/485 cable
32100-052100-RS	ATX power cable
32000-114000-RS	SATA 5V Power output Cable Kit for NANO series

Enano-8523

ULV Intel® Celeron® M 1GHz Zero Cache with COM Ports, USB 2.0



Features

1. EPIC form factor with Intel® Celeron® M processor
2. Preinstalled CPU heat sink for fan-less solution
3. Supports up to 1GB of 266/200 MHz single channel DDR memory
4. Supports dual independent displays, VGA display and 18-bit dual channel LVDS flat panel screens
5. Complete I/O support with 4 x COM ports, 1 x IDE device, 1 x CF type II, 1 x Intel® LAN and 4 x USB 2.0

Specifications

- ◆ CPU
Socket 479 Intel® Pentium® M, Celeron® M processor with 400 MHz FSB
On board Intel® Celeron® M 600MHz 512KB or 1GHz zero cache processor
- ◆ System Chipset
Intel® 852GM + ICH4
- ◆ BIOS
AMI BIOS
- ◆ System Memory
One 200-pin 266/200MHz DDR SDRAM SO-DIMM supported (system max. 1GB)
- ◆ Ethernet
10/100Mbps Intel® 82562ET Ethernet chipset
- ◆ I/O Interface
4 x USB 2.0
1 x LPT
1 x CF Type II
4 x RS-232
1 x PS/2 for KB/MS
1 x IDE
- ◆ Expansions
1 x PCI
- ◆ Super I/O
ITE IT8712F
- ◆ Audio
AC'97 Codec Realtek ALC655
- ◆ Display Interface
VGA integrated in Intel® 852GM
18-bit LCD dual-channel integrated in Intel® 852GM
Support independent dual display
- ◆ Watchdog Timer
Software programmable supports 1-255 sec. system reset
- ◆ Power Supply
ATX power only
- ◆ Power Consumption
5V@3.66A, 12V@20mA
(ULV Intel® Celeron® M 800 zero cache with DDR 266 MHz, 256 MB RAM)
- ◆ Temperature
Operating: 0°C ~ 60°C (32 ~ 140° F)
- ◆ Humidity
Operating: 5% ~ 95%, non-condensing
- ◆ Dimensions
115 mm x 165 mm
- ◆ Weight:
GW: 1100 g; NW: 950 g

Packing List

1 x Enano-8523 Single board computer	
1 x KB/MS Y Cable (P/N: 32000-023800-RS)	
1 x IDE Flat Cable 44p/44p (P/N: 32200-000009-RS)	
1 x Mini Jumper Pack	
1 x Utility CD	1 x QIG

Ordering Information

Part No.	Description
Enano-8523-1GZ-R10	EPIC SBC with ULV Intel® Celeron® M 1GHz Zero Cache CPU, VGA/LVDS, LAN, USB 2.0, Audio and COM
Enano-8523-600-R10	EPIC SBC with Intel® Celeron® M 600MHz 512K Cache CPU, VGA/LVDS, LAN, USB 2.0, Audio and COM.
32000-070300-RS	USB cable
32200-015100-RS	LPT cable
32100-052100-RS	ATX Power cable
32200-000049-RS	RS-232 cable

1 Industrial Computing Solutions

2 Embedded Computing Solutions

3 RISC-Based Embedded Solutions

4 Industrial Data Collector/Server Solutions

5 Video Capture Solutions

6 I/O Communication Solutions

7 Panel Solutions

8 Power Supply/Network/Communication/Peripherals