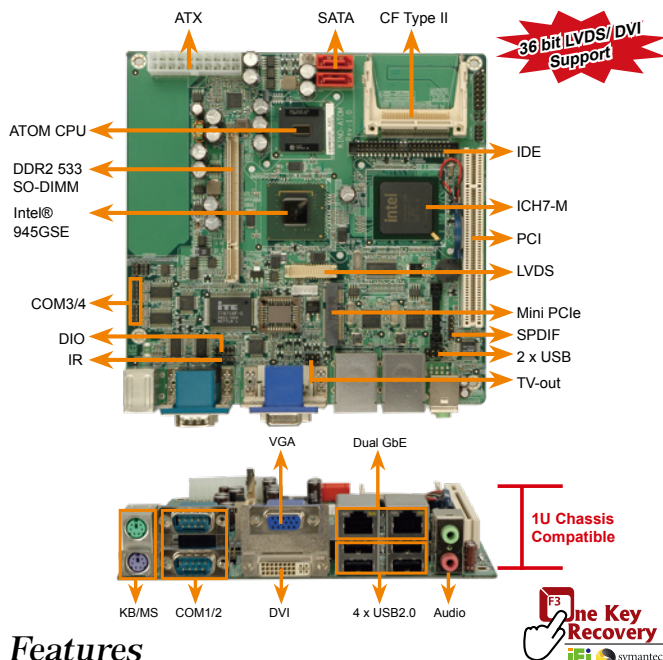


KINO-945GSE-R11

Mini-ITX SBC with Intel® Atom™ N270 1.6G, VGA/DVI/TV, Dual PCIe GbE, USB2.0, SATA and Audio



Features

1. Intel® Atom™ processor N270 1.6GHz with ultra low voltage fan-less support
2. DDR2 400/533 SO-DIMM memory support up to 2GB
3. Dual display support by VGA + DVI-D, LVDS + VGA, LVDS + DVI-D
4. Support PCIe Mini card, PCI slot for expansion
5. Support six USB 2.0, two SATA, four COM
6. IEI One Key Recovery solution allows you to create rapid OS backup and recovery

Specifications

- ◆ CPU: Intel® Atom™ processor N270 1.6GHz with a 533MHz FSB
- ◆ System Chipset: Intel® 945GSE + ICH7M
- ◆ BIOS: AMI BIOS
- ◆ Memory: One 200-pin 400/533 DDR2 SDRAM SO-DIMM supported (system max. 2GB)
- ◆ Ethernet: Dual Realtek PCIe 8111CP GbE chipsets
- ◆ I/O Interface: 6 x USB2.0, 2 x SATA, 1 x CF Type II, 3 x RS-232, 1 x RS-232/422/485, 1 x IDE, 2 x PS/2 for KB/MS
- ◆ Graphic: Intel® Graphics Media Accelerator 950
- ◆ Display Output: VGA integrated in Intel® 945GSE, Support HDTV resolution up to 1080i by component interface, 18 bit dual channel LVDS by Intel® 945GSE, DVI-D support by silicon image SII1362
- ◆ Expansion: 1 x PCI, 1 x PCIe Mini card
- ◆ Digital I/O: 8-bit digital I/O, 4-bit input/ 4-bit output
- ◆ Infrared Interface by pin header
- ◆ Super IO: ITE IT8718F
- ◆ Audio: Realtek ALC655 AC'97 codec
- ◆ Watchdog Timer: Software programmable support 1~255 sec. system reset
- ◆ Power Supply: AT/ATX power support
- ◆ Power Consumption: 2.89A@5V, 0.04A@12V (Intel® Atom™ N270 with 1GB DDR2)
- ◆ Temperature: KINO-945GSE-N270-R11: Operation: 0°C ~ 60°C (32°F ~ 140°F), Storage: -20°C ~ 70°C; KINO-945GSE-N270W-R11: Operation: -20°C ~ 70°C
- ◆ Humidity: Operation: 5% ~95% non-condensing
- ◆ Dimensions: 170mm x 170mm
- ◆ Weight: GW: 1100g / NW: 370 g

Packing List

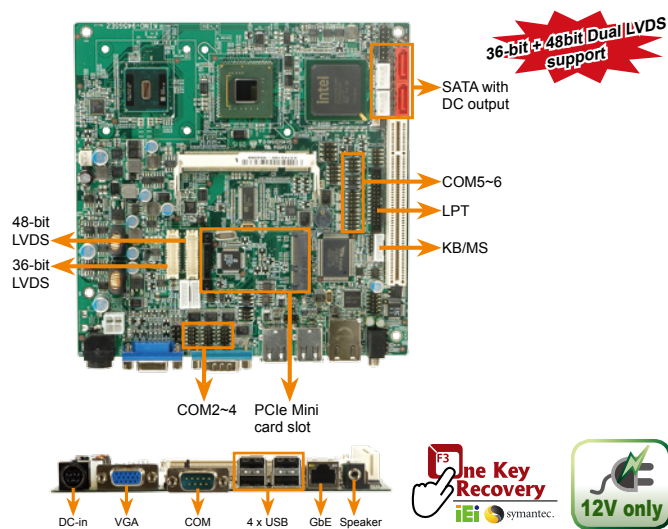
1 x KINO-945GSE single board computer	
1 x Dual RS-232 cable (P/N: 19800-000112-RS)	
1 x I/O shielding (P/N: 45014-0008C0-00-RS)	
2 x SATA cable (P/N: 32000-062800-RS)	1 x Mini jumper pack
1 x Utility CD	1 x QIG

Ordering Information

Part No.	Description
KINO-945GSE-N270-R11	Mini-ITX SBC with Intel® Atom™ N270 1.6G, VGA/DVI/TV, Dual PCIe GbE, USB2.0, SATA and Audio
KINO-945GSE-N270W-R11	Mini-ITX SBC with Intel® Atom™ N270 1.6G, VGA/DVI/TV, Dual PCIe GbE, USB2.0, SATA and Audio, -20~70°C
CB-USB02-RS	Dual USB cable
HDTV-CABLESET-01	HDTV cable set with S-Video, composite and component interfaces
32102-000100-200-RS	SATA power cable
32200-000009-RS	44pin 2.5" IDE cable
32200-833600-RS	RS-422/485 cable

KINO-945GSE2

Mini-ITX SBC with 1.6GHz Intel® Atom™ N270, DC 12V input, VGA/ 36-bit + 48-bit LVDS/HDTV, Dual PCIe GbE, USB2.0, SATA and Audio



Features

1. 1.6GHz Intel® Atom™ N270 processor for fan-less support
2. One 400/533MHz DDR2 SO-DIMM socket supports up to 2GB memory
3. One PCIe mini card and one PCI slot for expansion
4. 36-bit and 48-bit LVDS support dual display outputs
5. Single voltage DC 12V input
6. IEI One Key Recovery solution allows you to create rapid OS backup and recovery

Specifications

- ◆ CPU: 1.6GHz Intel® Atom™ N270 processor with a 533MHz FSB
- ◆ System Chipset: Intel® 945GSE+ICH7M
- ◆ BIOS: AMI BIOS
- ◆ Memory: One 200-pin 400/533MHz DDR2 SDRAM SO-DIMM supported (system max. 2GB)
- ◆ Ethernet: 1 x Realtek PCIe RT8111CP GbE controller
- ◆ I/O Interface: 6 x USB 2.0, 2 x SATA with DC power, 1 x RS-232 DB-9, 3 x RS-232, 2 x RS-232/422/485, 1 x LPT, 1 x 6-pin box header (2.0mm pitch) for KB/MS
- ◆ Graphic: On Intel® Graphics Media Accelerator 950
- ◆ Display Output: VGA integrated in Intel® 945GSE, Support HDTV resolution up to 1080i by component interface, 18-bit dual-channel LVDS by Intel® 945GSE, 24-bit dual-channel LVDS by Chronitel CH7308B
- ◆ Expansion: 1 x PCI, 1 x PCIe mini card
- ◆ Digital I/O: 8-bit digital I/O, 4-bit input/ 4-bit output
- ◆ Infrared Interface: 1 x Infrared interface by pin header
- ◆ Super IO: Fintek 81865
- ◆ Audio: Realtek ALC655 AC'97 Codec
- ◆ Watchdog Timer: Software programmable support 1~255 sec. system reset
- ◆ DC connector: 2pcs 1 x 4-pin 5V power connector (Major for 2.5" HDD used)
- ◆ Power Supply: Single voltage 12V DC input, 1 x External 4-pin (2x2) DC jack, 1 x Internal 4-pin (2x2) power connector
- ◆ Power Consumption: 1.73A@12V (Intel® Atom™ N270 1.6GHz with 2GB DDR2)
- ◆ Temperature Operation: KINO-945GSE2-N270-R10: 0°C ~ 60°C, KINO-945GSE2-N270W-R10: -20°C ~ 70°C
- ◆ Humidity: Operation: 5% ~95% non-condensing
- ◆ Dimensions: 170mm x 170mm
- ◆ Weight: GW: 1000g / NW: 350 g

Packing List

1 x KINO-945GSE2 single board computer	
2 x SATA 5V power output cable kit (P/N: 32801-000100-100-RS)	
1 x Dual RS-232 cable (P/N: 19800-000112-RS)	
1 x I/O shielding (P/N: 45014-0031C0-00-RS)	
1 x KB/MS Y cable (P/N: 32000-023800-RS)	
1 x Audio cable (P/N: 32000-072100-RS)	1 x Mini jumper pack
1 x Utility CD	1 x QIG

Ordering Information

Part No.	Description
KINO-945GSE2-N270-R10	Mini-ITX SBC with Intel® Atom™ N270 1.6G, 12V DC input, VGA/ 18+24 bits LVDS/HDTV, PCIe GbE, USB2.0, SATA and Audio
KINO-945GSE2-N270W-R10	Mini-ITX SBC with Intel® Atom™ N270 1.6G, 12V DC input, VGA/ 18+24 bits LVDS/HDTV, PCIe GbE, USB2.0, SATA and Audio, -20~70°C
CB-USB02-RS	Dual USB cable
HDTV-CABLESET-01	HDTV cable set with S-Video, composite and component Interfaces
32100-192900-RS	One 4-pin (2x2) to one 4-pin(1x4) DC power cable with terminal block
32200-015100-RS	LPT cable
63000-FSP0601AD101C746-RS	60W/12V power adaptor 90VAC~260VA, 4-pin DIN