

AFL-12B-CX2

AFL-12B-9103

12.1" XGA Touch Panel PC

VIA Eden™ 1GHz ULV Processor

12.1" XGA Touch Panel PC

Intel® Celeron® M 1GHz 512KB Processor



► Features

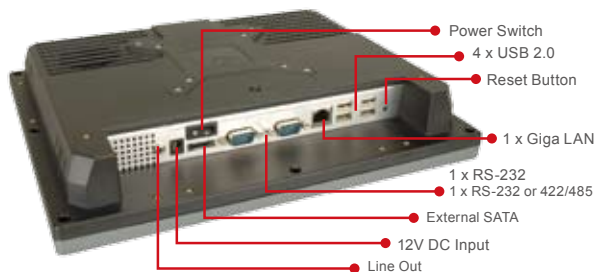
- 12.1" TFT LCD with resistive touch screen
- Built-in 802.11b/g Wireless LAN
- Built-in Bluetooth module
- Built-in two 1.5 W speakers
- Built-in HSDPA module for mobile connection (Optional)
- One compact flash slot
- IP 64 compliant front panel

► Specifications

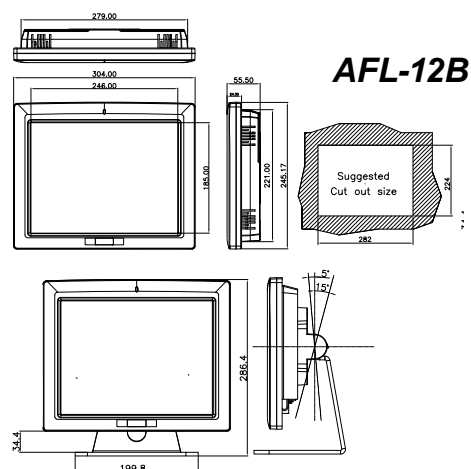
Model	AFL-12B-CX2	AFL-12B-9103
LCD Size	12.1"	12.1"
Max Resolution	1024 * 768	1024 * 768
Brightness (cd/m2)	400	400
Contrast Ratio	500:1	500:1
LCD Color	262K	262K
Pixel Pitch (mm)	0.240(H) x 0.240(V)	0.240(H) x 0.240(V)
Viewing Angle (H-V)	160/160	160/160
Backlight MTBF	50000 hrs	50000 hrs
SBC Model	AFLMB-CX2	AFLMB-9103
CPU	VIA EDEN 1GHz ULV	Intel® Celeron M 1.0GHz/512k Cache
Chipset	CX700M	Intel® 910GML Chipset
RAM	Support one 200-pin 1GB (maximum) 400MHz or 533MHz DDR II SO-DIMM	Support one 200-pin 2GB (maximum) 400MHz DDR II SO-DIMM
I/O Ports and Switches	1 x RS232 COM Port 1 x RS232 or 422/485 COM Port 1 x Giga LAN 4 x USB 2.0 1 x Power Switch 1 x Reset Button 1 x Power Jack 1 x Audio Port	1 x RS232 COM Port 1 x RS232 or 422/485 COM Port 1 x Giga LAN 4 x USB 2.0 1 x Power Switch 1 x Reset Button 1 x Power Jack 1 x Audio Port
SSD	CF Type II	CF Type II
Watchdog Timer	Software programmable supports 1~255 sec. System reset	Software programmable supports 1~255 sec. System reset
Audio	AMP 1.5W + AMP 1.5W	AMP 1.5W + AMP 1.5W
Expansion	1 x Mini PCI (Wireless LAN Module) 1 x Bluetooth Module (USB Interface, Bluetooth V2.0)	1 x PCIe mini card (Wireless LAN Module) 1 x Bluetooth Module (USB Interface, Bluetooth V2.0)
HDD Drive Bay	1 x 2.5" SATA HDD bay or Optional HSDPA Module	
Construction Material	ABS + PC Plastic front frame	ABS + PC Plastic front frame
LED Function	1 x Power ON/OFF LED on front panel	1 x Power ON/OFF LED on front panel
Mounting	Panel, Wall, Rack, Stand or Arm VESA 75mm x 75mm / 100 x 100mm	Panel, Wall, Rack, Stand or Arm VESA 75mm x 75mm / 100 x 100mm
Front Panel Color	Gray 7539U	Gray 7539U
Dimensions (WxHxD) (mm)	304 x 246 x 56	304 x 246 x 56
Operation Temperature (°C)	0~40°C with HDD 0~45°C with CF card or SATA interface 2.5" SSD HDD	0~40°C with HDD (smart fan control :fan mode) 0~45°C with CF card or SATA interface 2.5" SSD HDD (smart fan control:fanless mode)
Storage Temperature (°C)	-20°C~60°C	-20°C~60°C
Net Weight	1.8Kg	1.8Kg
IP Level (front panel)	IP 64	IP 64
EMC	CE, FCC, CCC	CE, FCC, CCC
Safety	UL, CB	UL, CB
Touch Screen	Resistive Type 5-Wire (touch controller IC is on board)	Resistive Type 5-Wire (touch controller IC is on board)
Power Adapter	P/N:63000-FSP0481AD101C-RS Power: 48W Input: 90VAC~264VAC @ 50/60Hz Output: 12VDC	Power: 60W Input: 90VAC~264VAC @ 50/60Hz Output: 12VDC
Power Requirement	12VDC	12VDC
Power Consumption	41W	46W

► Fully Integrated I/O

AFL-12B-9103 / CX2



► Dimensions (Unit:mm)



► Ordering Information

Part Number	Description
AFL-12B-CX2-E10G/WT-R/512MB/**(HSDPA01)	12.1" 450cd/m ² XGA fanless panel PC with VIA Eden 1GHz ULV CPU, 512 MB DDR2 RAM, 802.11 b/g wireless module, touch screen, bluetooth, RoHS
AFL-12B-9103-10G/WT-R/1GB/**(HSDPA01)	12.1" 450cd/m ² XGA fanless panel PC with Celeron® M 1.0GHz 512K cache CPU, 1GB DDR2 RAM, 802.11 b/g wireless module, touch screen, Bluetooth, RoHS

Note: If the HSDPA module is used, the HDD can't be implemented.

► ISMM Support Functions

	Voltage	Fan	Smart Fan	Temperature	DIO	WDT	Beep	Cash Drawer
AFL-12B-CX2					V	V		
AFL-12B-9103								

► Options

	AFL-12B-CX2	AFL-12B-9103
Panel Mounting Kit	AFLPK-12	
Wall Mounting Kit	AFLWK-12	
Rack Mounting Kit	AFLRK-12	
ARM	ARM-11-RS / ARM-31-RS	
STAND	STAND-A12 / STAND-POS12 / STAND-100-RS / STAND-150-RS	
OS	Win CE 5.0	AFLCF-12-CX2-CE / AFLCF-12-9103-CE
	Win CE 6.0	AFLCF12-CX2-CE060 / AFLCF12-9103-CE060
	Win XPE	AFLCF-12-CX2-XPE / AFLCF-12-9103-XPE
DC to DC converter module	IDD-930160-KIT	
Hybrid Card Reader	AFLP-12BMSI-U	
Magnetic Stripe Reader	AFLP-12BMSR-U	
DC 12V Input UPS	AUPS-A10-R10	
DV 9-36V Input UPS	AUPS-A20-R10	

► Packing List

Item	P/N	Q'ty	Specifications
Screws	44013-030041-RS	4	M3;ø5mm
Power Adapter	63000-FSP0361AD101C-RS 63000-FSP0481AD101C-RS 63000-FSP0601AD101C-RS	1	90-264V; 12V;36W (for LX) 90-264V; 12V;48W (for CX2/LXPOS) 90-264V; 12V;60W (for 9103)
Power Cable	32000-000002-RS	1	1750MM, European Standard
User's Manual CD ROM	7B000-000087-RS	1	
Touch Pen	XTR104-0002-RS	1	